



SMART SOLUTIONS

Higher your production efficiency

NINGBO HAITIAN SMART MANUFACTURING TECHNOLOGY CO.,LTD.

ADD:NO.1688 Haitian Road, Xiaogang, Beilun,
Ningbo, P,R, China.

Zipcode:315821

Tel: +86-574-86185756 86185758

Fax: +86-574-86182618

E-Mail: htsmart@mail.haitian.com

HT 20200608-CV

Systematic Feeding Solutions Leader

SMART SOLUTIONS

Systematic Feeding Solutions Leader



Company Introduction

Ningbo Haitian Smart Manufacturing Technology Co., Ltd. is affiliated to Haitian Plastics Machinery Group Co.,Ltd. which is the world's largest injection molding machine manufacturer. The company focuses on integrated updating of integration, automation and information level of injection molding machine. Since the beginning of this century, Haitian has been holding the principle of market segmentation and industry segmentation, and pay attention to industry cases applications. It provides customers with services of factory planning and design, raw materials centralized processing, auxiliary systems integration, production automation implementation and injection molding plant information networking etc.

Based on the concepts of production automation and informatization, as well as technology and scale advantages formed over the years, "Haitian Smart" focuses on the process of manufacturing and production organization. We provide customers with five series of solutions in the field of intelligent manufacturing. There are "Production Preparation Module", "Process Assurance Module", "Product Processing Module", "Sorting & Logistics Module" and "Information Interconnection Module". It realizes intelligent control of raw material flow, energy flow, goods flow and information flow in the process of production and operation, and helps customers to improve management level, increase production efficiency, reduce production cost and maximize benefits.

Ningbo Haitian SMART Manufacturing Technology Co., Ltd. takes the concept of "smart manufacturing shaping the future" as its vision, and regards "Synergy of multi-technology to create value for customers" as its business philosophy. Following up with development trend of the industry, we provide customers with solutions for entire life cycle of injection products based on market demand.



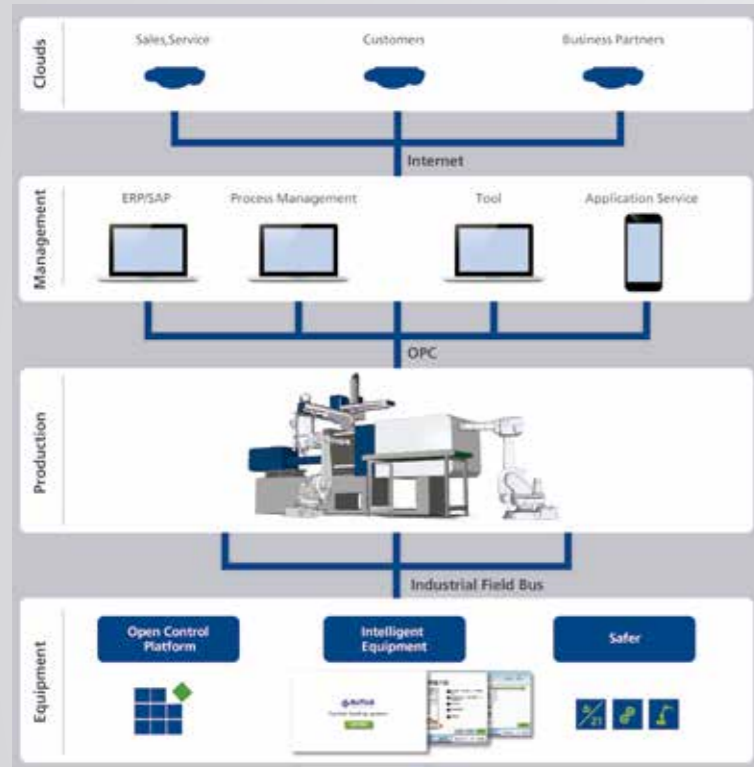
Catalogue

Centralized Feeding System07-12	Feeding and Conveying29-30	Other Products49-50
Dehumidification and Drying13-22	Mold Temperature Controlling31-42	
Dosing and Mixing23-28	Machine Side Crushing43-48	

SMART SOLUTIONS

Systematic Feeding Solutions Leader

Haitian Smart -- Basic concept overview



Service layer

Cross-platform remote support and technology collaboration based on internet and Cloud technology

Management Layer

Factory-wide process monitoring and equipment management

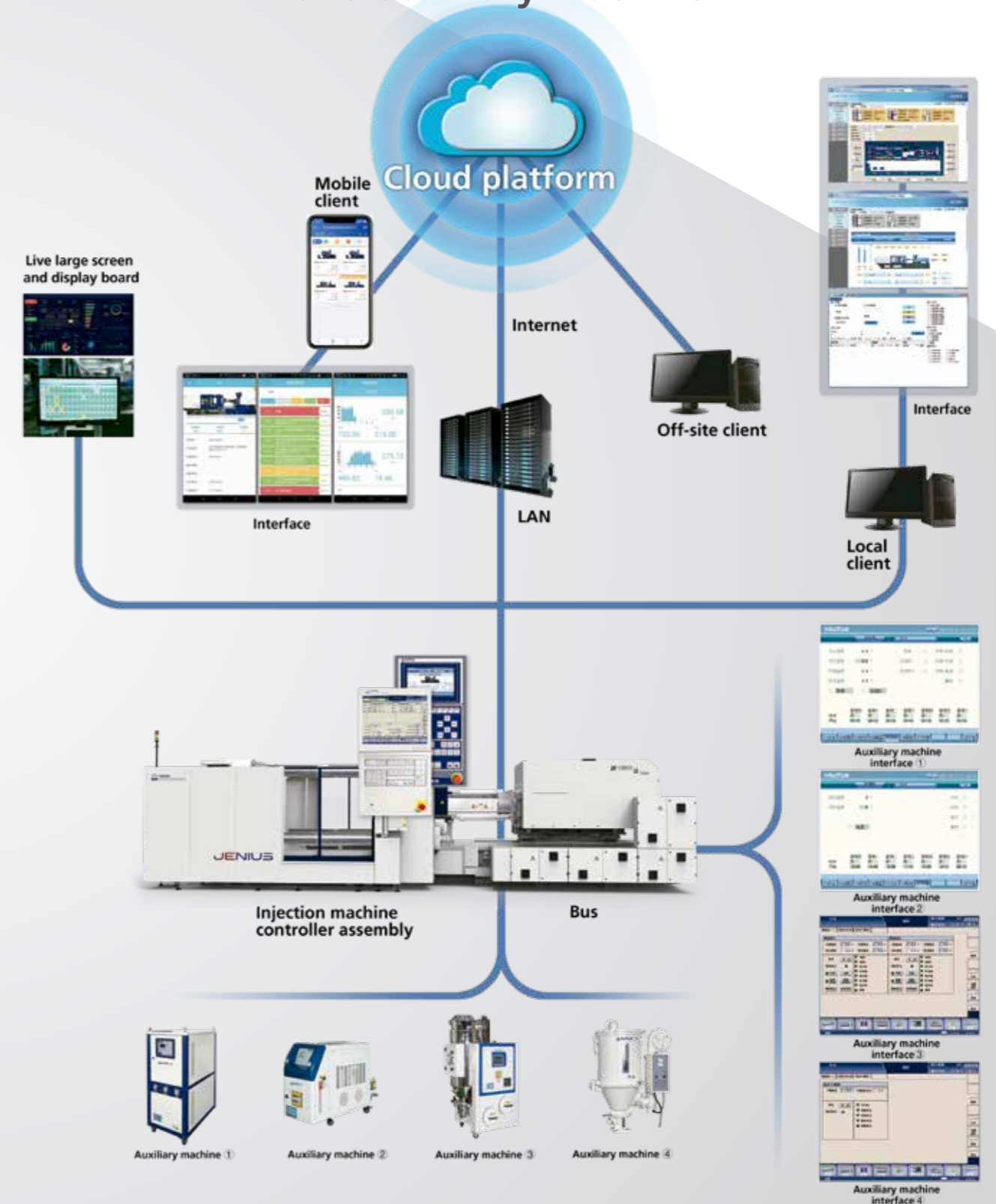
Device Layer

Multi-system integration and automation realization centered on injection molding machine

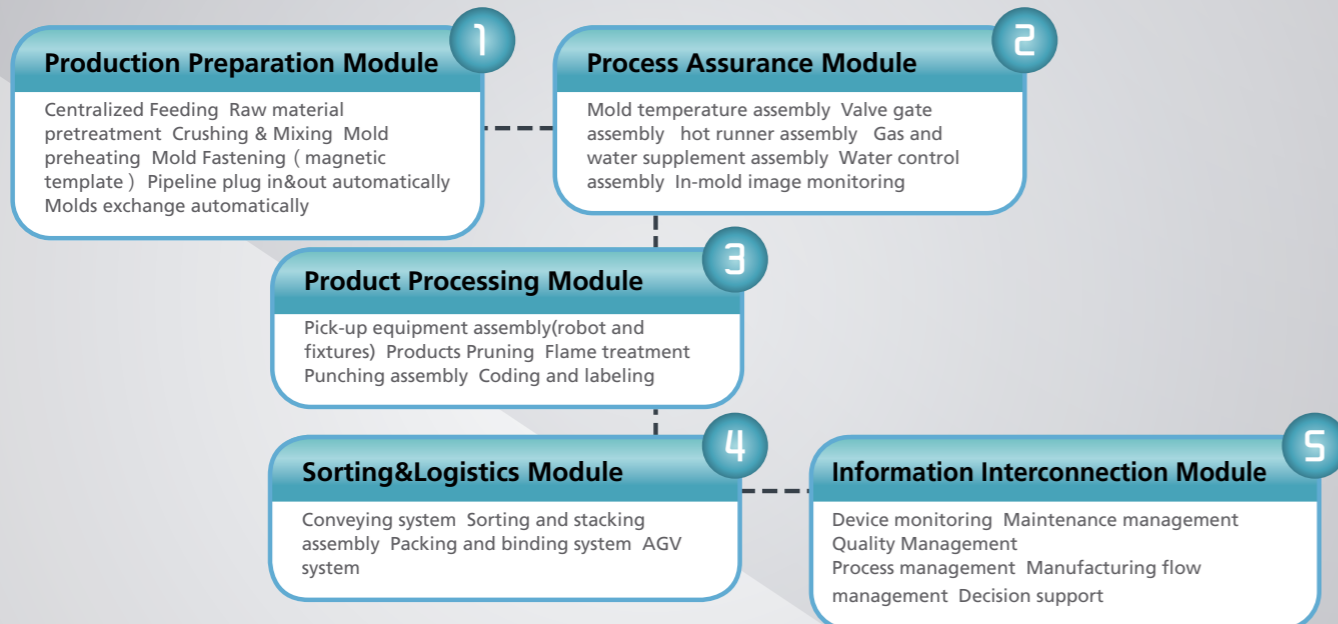
Control layer

Flexible control and diversity interface protocols on open system platforms

Integration of injection machine and auxiliary machine



Description of Five Modules



SMART SOLUTIONS

Systematic Feeding Solutions Leader

Haitian Smart focuses

on large scale system integration of products and production process

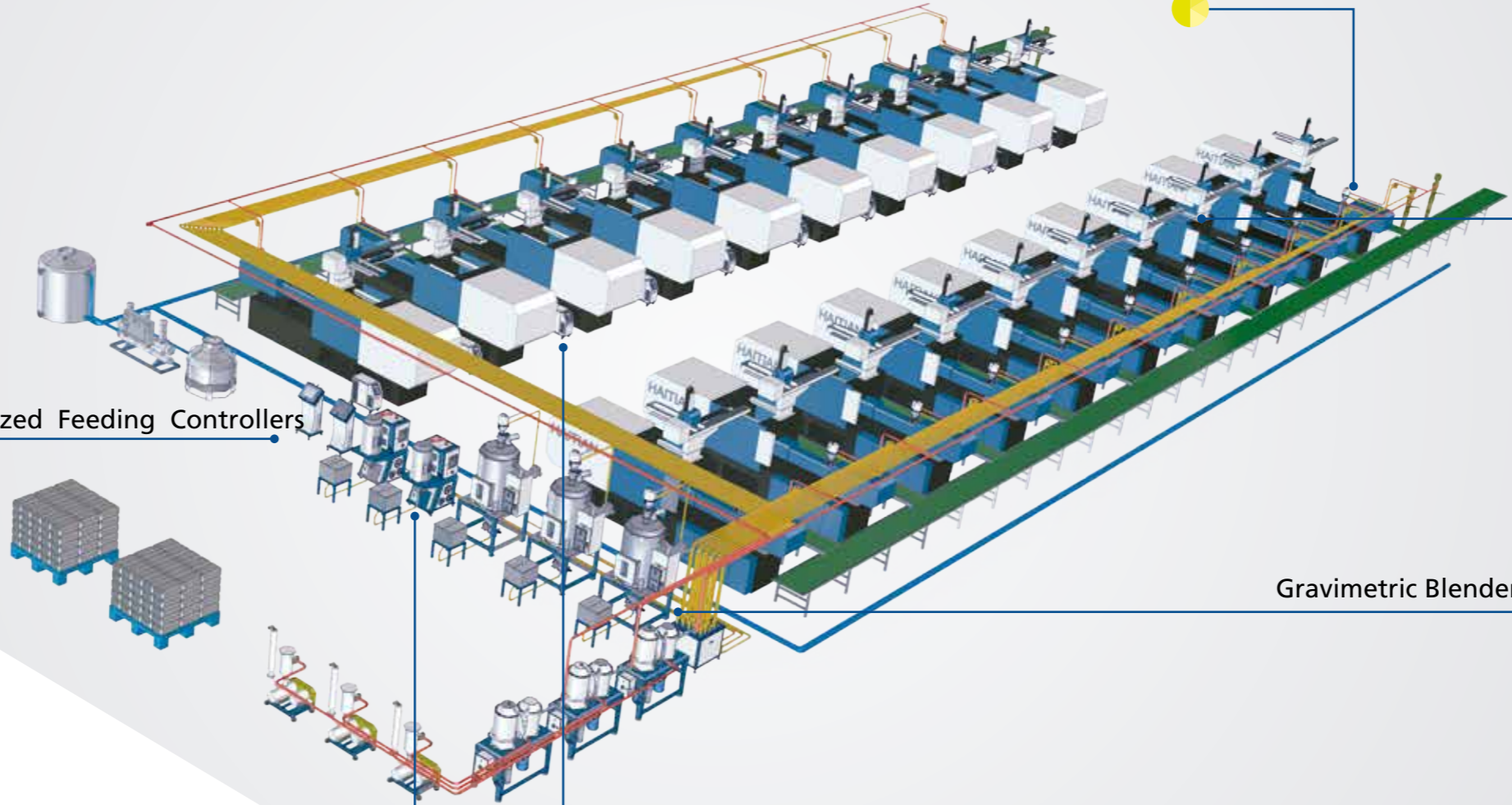


SMART SOLUTIONS

Centralized feeding system



Centralized Feeding Controllers



Loaders



Crushers



Compact Dryers

Gravimetric Blenders



Temperature Controllers



SMART SOLUTIONS

Centralized feeding system

Application field

The system is mainly used in plastic manufacturing area of important industries, such as automobile, home appliances, daily necessities, medical equipment, aviation, PV and extrusion /blow molding etc.



SMART SOLUTIONS

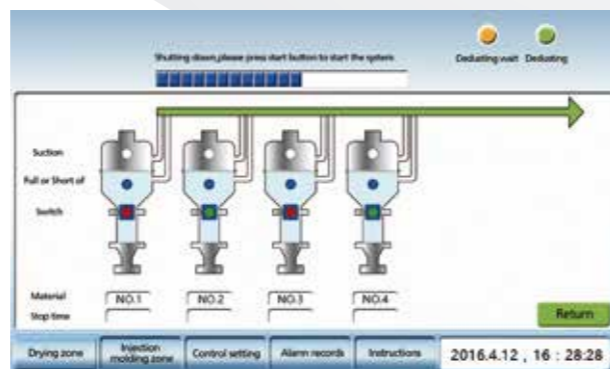
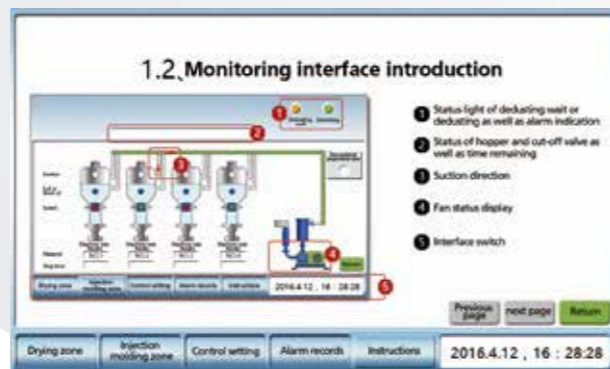
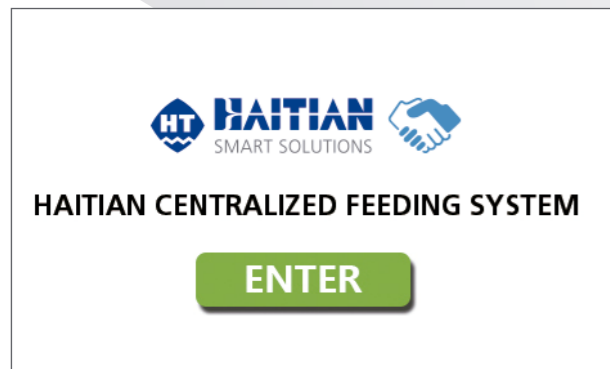
Centralized feeding system

What is centralized feeding system

It is a fully automatic intelligent control system that can save energy and reduce both noise and pollution. After centralized storage processing of raw materials, one-to-many automatic controller conveys a variety of raw materials as per demand to each machine through a closed conveying system.

Advantages

Design flexibility, durability, long life cycle;
 Can feed to multiple machines simultaneously and change raw materials easily and quickly;
 Saving power and water;
 Workshop environment will be improved, no contamination, lower ambient temperature;
 Centralize management and reduce labor force;
 Low energy consumption, varieties of raw materials can be dried at the same time;
 Small footprint, saving space;
 System operation is simple and easy to learn, with extensibility, low update cost, with cost advantages and rapid delivery;
 Stable product quality, high capacity and security, low maintenance, with a variety of intelligent monitoring and protection function; promoting modern company image.



Central control cabinet



Central vacuum pump group



Raw materials selection station



Central pulse filter + separator cyclone



Central pulse filter



Europeanization hopper dryer



Mobile collection bin



Mechanical hopper



Electric eye hopper



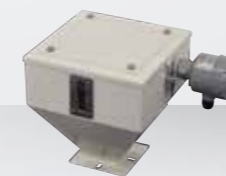
Cut-off valve



Vacuum diaphragm valve



Vacuum relief valve



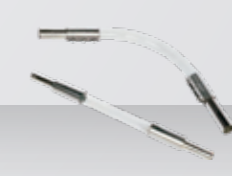
Intermediate hopper



Stainless steel joint control



Tube supports



Glass tube



Stainless steel quick couplings



HTDL 3-in-1 Compact dryers

HTDL - AAAF / X - P

- Series number
- Accessories optional*
- Hopper dryer(kg), F: Rotor
- Compact dryers

Note: *
 DG= German dew point meter HT=180°C High temperature type
 ES= Energy saving & insulation function P= Inner wall of hopper is polished



HTDL-50F-P

Introduction

Can generate dry wind air dew point of -40 °C, combined function of dehumidification, drying and feeding, good appearance, simple and reasonable structure design, easy maintenance;
 Used for high hygroscopic engineering plastics, such as: PA.PC.PBT.PET.ABS, etc.

Features

Combination function of dehumidifying, drying and feeding, simple appearance and easy to configure, high performance;
 Equipped with hot air collector, energy saving, no hot air and dust discharge, environmental friendly;
 Equipped with cut-off suction box, to ensure no material residual in pipe;
 Insulation hopper with down-blowing design, to ensure no heat loss and increase drying efficiency;
 Fully enclosed loop design can prevent external air into the system and avoid moisture regain after conveying of raw materials;
 Honeycomb rotor with long service life of at least 6 years, can be washed if main body is dirty;
 Equipped with standard electronic temperature controlling system, saving both energy and cost;
 With multiple protection device;
 RS485 communication interface is configured to communicate with host to realize centralized monitoring.

Optional Items

Dew point meter is optional, measurement range from -60°C to +60°C, accuracy ±2°C, output range can be configured; supporting measurement of dew point, temperature, humidity, PPM and other parameters, output parameters can be configured; good stability, fast response, strong anti-interference ability, can be used in condition of pressure up to 200bar.

Note

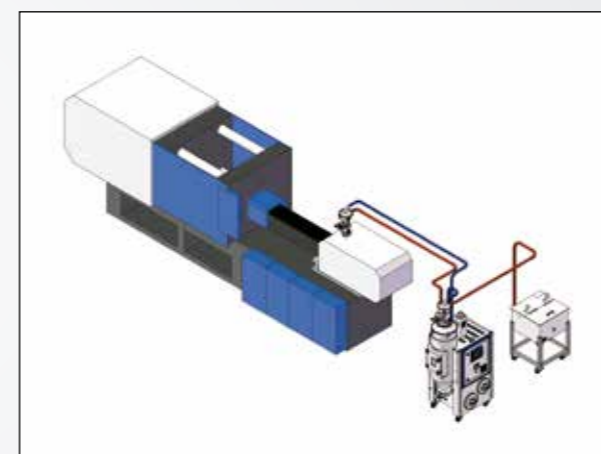
Standard voltage specifications: 3 phase 380V / 50Hz;
 If need to customize special specifications, please contact with us for confirmation;
 Product specifications are subject to change without notice.

Specification

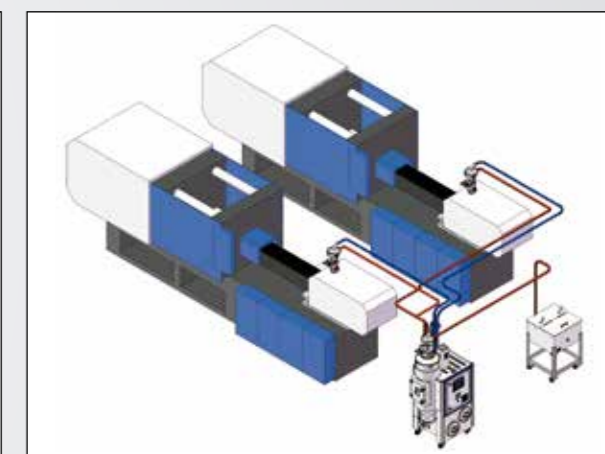
Models	HTDL-	30F-P	50F-P	75F-P	100F-P	150F-P	200F-P	300F-P	400F-P	600F-P	800F-P	1000F-P
Air flow	CMH	50	50	50	120	120	200	200	300	400	600	800
Hopper dryer	kG	30	50	75	100	150	200	300	400	600	800	1000
	Ltr	50	80	120	160	230	300	450	600	900	1200	1500
Dewpoint	°C	-40										
Drying temp.	°C	150(180°C Optional)										
Process blower	kW	0.55	0.55	0.55	0.75	0.75	1.5	1.5	2.6	3.75	7.5	7.5
Process heater	kW	4	4	6	6	6	12	12	18	18	24	32
Regen. blower	kW	0.25	0.25	0.25	0.4	0.4	0.4	0.4	0.75	0.75	1.5	3.75
Regen. heater	kW	2.5	2.5	2.5	4	4	4	4	7.5	7.5	9	12
PVC hose	inch	1.5										

Dimension

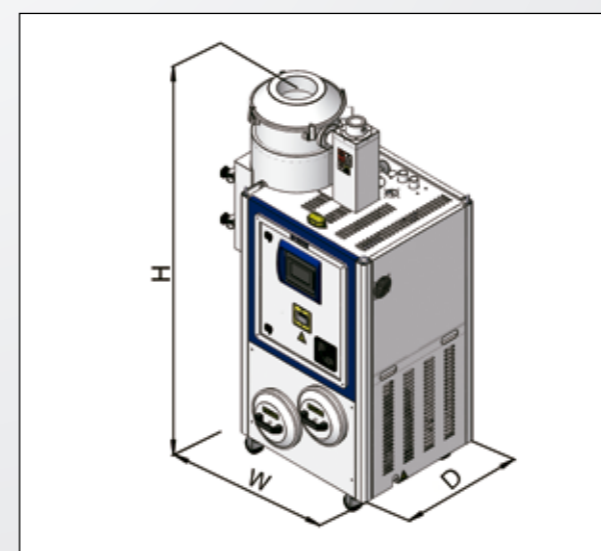
Dimension	mm	1550	1760	1760	1930	2146	2200	2200	2390	2830	2760	3200
H												
W		980	980	1270	1270	1350	1350	1610	1800	2230	2300	2300
D		840	840	920	920	1000	1000	1050	1060	1410	1410	1560



1 vs 1 machine installation diagram



1 vs 2 machines installation diagram



HTDL-30F-150F View

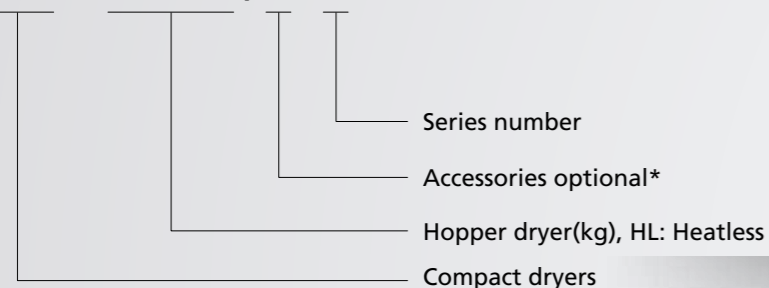


HTDL-2 00F-1000F View



HTDL Heatless compact units

HTDL - AAAHL / X - P



Note: *
 DG= German dew point meter HT=180°C High temperature type
 ES= Energy saving & insulation function P= Inner wall of hopper is polished



HTDL-50HL-P

Introduction

Can generate dry air with dew point of -40 °C, combined function of dehumidification, drying and feeding, good appearance, simple and reasonable structure design, easy maintenance; Used for high hygroscopic engineering plastics, such as: PA.PC.PBT.PET.ABS, etc.

Features

Combination function of dehumidifying, drying and feeding, simple appearance and easy to configure, high performance;
 Equipped with hot air collector, energy saving, no hot air and dust discharge, environmental friendly;
 Equipped with cut-off suction box, to ensure no material residual in pipe;
 Insulation hopper with down-blowing design, to ensure no heat loss and increase drying efficiency;
 Fully enclosed loop design can prevent external air into the system and avoid moisture regain after conveying of raw materials;
 Equipped with heatless regeneration device, can generate dry air with low dew point and accelerate treatment process of raw material;
 With standard electronic temperature controlling system, saving both energy and cost;
 Multiple protection device;
 RS485 communication interface is configured to communicate with host to realize centralized monitoring.

Optional Items

Dew point meter is optional, measurement range from -60°C to +60°C, accuracy ±2°C, output range can be configured; supporting measurement of dew point, temperature, humidity, PPM and other parameters, output parameters can be configured; good stability, fast response, strong anti-interference ability, can be used in condition of pressure up to 200bar.

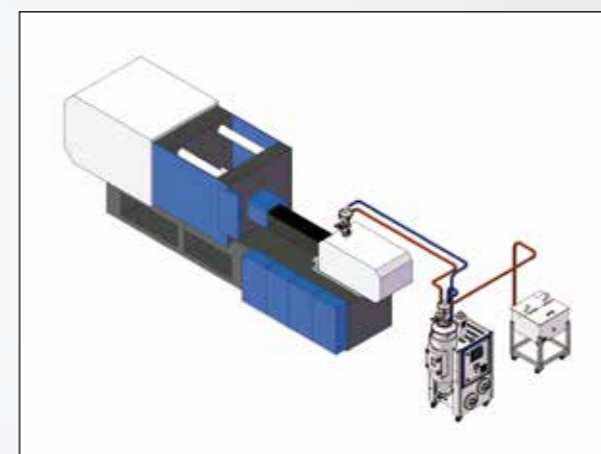
Note

Standard voltage specifications: 3 phase 380V / 50Hz;
 If need to customize special specifications, please contact with us for confirmation;
 Product specifications are subject to change without notice.

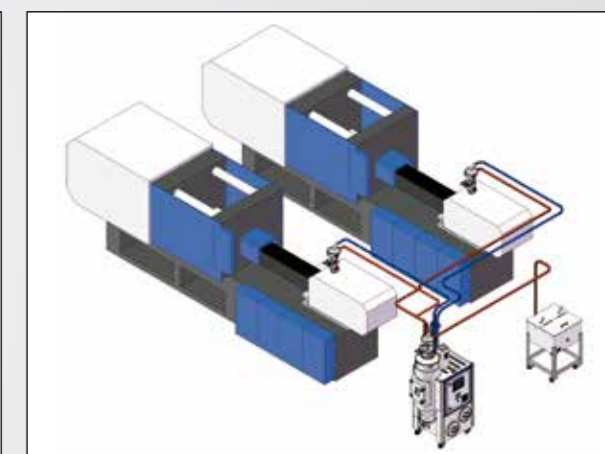
Specification

Models	HTDL-	30HL-P	50HL-P	75HL-P	100HL-P	150HL-P	200HL-P	300HL-P	400HL-P	600HL-P	800HL-P	1000HL-P
Hopper dryer	kG	30	50	75	100	150	200	300	400	600	800	1000
	Ltr	50	80	120	160	230	300	450	600	900	1200	1500
Dewpoint	°C	-40										
Drying temp	°C	150 (180°C Optional)										
Process blower	kW	0.25	0.4	0.4	0.4	0.75	1.5	1.5	3.75	3.75	5.5	5.5
Process heater	kW	3	4	4	6	6	12	12	18	18	18	24
PVC hose	inch	1.5										
Total power rate	kW	3.7	5.15	6.15	7.15	9.5	13	16	23.25	23.25	25	31

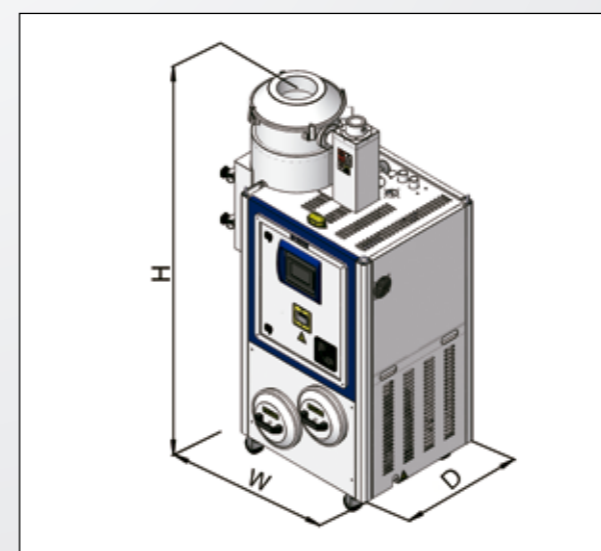
Dimension												
H	mm	1550	1760	1700	1930	2146	2200	2200	2390	2830	2760	3200
W		980	980	1270	1270	1350	1350	1610	1880	2230	2300	2300
D		840	840	920	920	1000	1000	1050	1060	1410	1410	1560



1 vs 1 machine installation diagram



1 vs 2 machines installation diagram



HTDL-30HL-150HL View

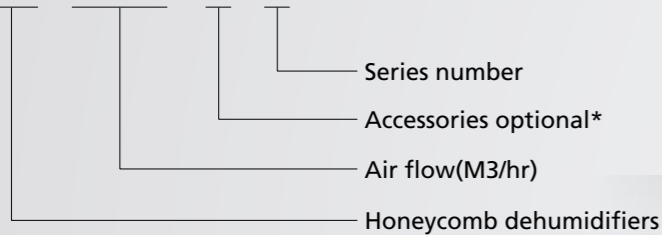


HTDL-200HL-1000HL View



HTD Honeycomb dehumidifier

HTD - AAAF / X - P



HTD-200F-P

Introduction

Can generate dry air with dew point of -40 °C, combined function of dehumidification, drying and feeding, good appearance, simple and reasonable structure design, easy maintenance;
Used for high hygroscopic engineering plastics, such as: PA.PC.PBT.PET.ABS, etc.

Features

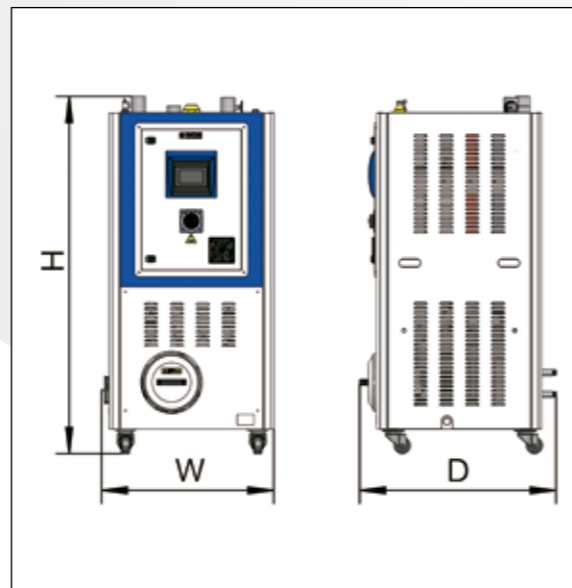
- With P.I.D temperature controlling system, temperature of regeneration and drying is accurately controlled;
- Microcomputer control board with LCD touch screen, easy to operate, can control machine to run automatically;
- The dehumidification system is designed as cooler structure to ensure lower return air temperature and dew point;
- With main power switch, insuring safety of operation and maintenance;
- With alarm function of motor overload and reverse phase, service life of motor can be well maintained;
- With return air filter, honeycomb rotor is not contaminated by raw material dust;
- With molecular sieve type honeycom, dehumidification performance of which is better than that of silicone adsorption type;
- With RS485 communication interface, the system can communicate with Haitian injection machine to achieve centralized monitoring.

Optional Items

- Dew point meter is optional for easy monitoring dew point at any time;
- High pressure and high volume blower is optional, better dehumidification performance;
- Dehumidification heater is optional for using with hopper dryer HD model.

Note

- Please tell us the length of hot air pipe to be connected when ordering
- Please tell us the installation dimension of blower inlet and elbow outlet when supporting other brand dryer.
- Standard voltage specifications: 3-phase 380V / 50Hz;
- If need to customize special specifications, please contact with us for confirmation;
- Product specifications are subject to change without notice.



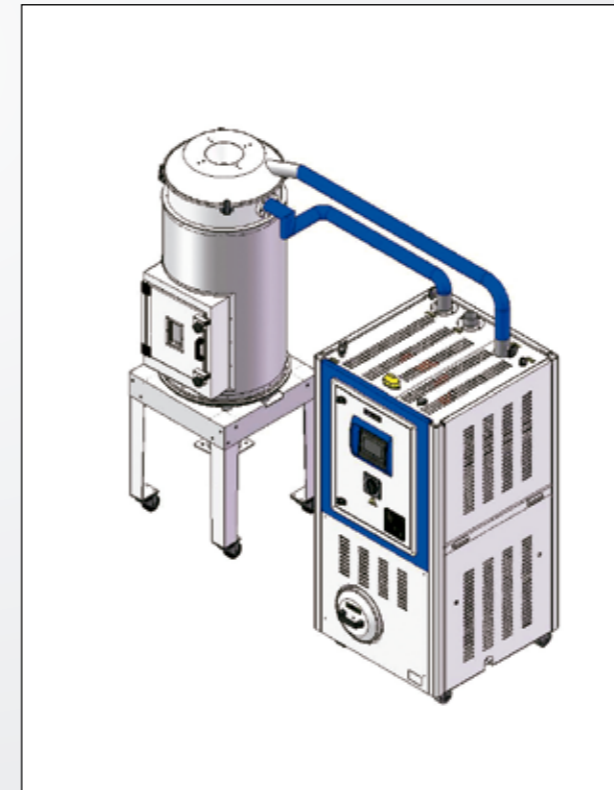
Dimension

Specification

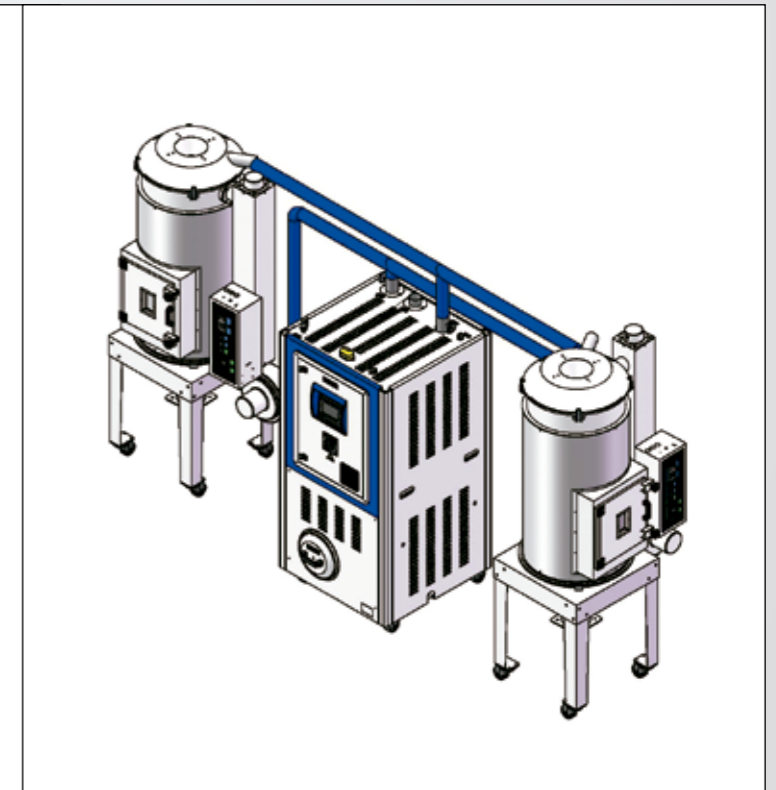
Models	HTD	50F-P	80F-P	120F-P	200F-P	300F-P	400F-P	600F-P	800F-P	1000F-P
Air flow	CMH	50	80	120	200	300	400	600	800	1000
Dewpoint	°C	-40								
Process blower	kW	0.55	0.75	0.75	1.5	2.6	3.75	7.5	7.5*	11.3*
Process heater	kW	4	6	6	12	12	18	18	24	32
Regen. blower	kW	0.25	0.4	0.4	0.4	0.75	0.75	1.5	1.5	3.75
Regen. heater	KW	2.5	4	4	4	7.5	7.5	9	12	15
Inlet and Outlet	inch	2			2.5	3			4	5

Dimension

Dimension	mm	1280	1630	1930	2085	2085
H						
W		745	910	1045	1400	1550
D		650	765	900	1250	1250



1 vs 1 machine installation diagram



1 vs 2 machine installation diagram



HTHD Hopper dryer

HTHD - AAA - BBB

- BBB:E=Basic configuration
- EM=Magnetic base
- HL= Week calendar timing+ Networking configuration
- MHL=Magnetic base+Week calendar timing+ Networking configuration
- AAA: Loading capacity (Kg)
- HTHD: Hopper dryer

Introduction

The HTHD series hopper dryer is the most effective and economical machine model for drying plastic materials which are moist due to packaging, transporting or recycling. Direct-junction design is suitable for directly mounting on plastic molding machine for drying, which is quick and space-saving. This type of up-blowing hot air dryer can provide loading capacity from 12 to 1,000 kilograms.

Features

- Novel design and bright appearance;
- The hot air is evenly distributed and drying efficiency is improved;
- Controlled by Full digital P.I.D.;
- All parts inside and cylinder adopt stainless steel;
- The cylinder is separated from the bottom, easy to clean and reload quickly;
- Overheat protection device can reduce accidents caused by human or mechanical failure;
- HL model equipped with main power switch & over temperature tripping protection function & LCD display & week calendar timing & networking function.

Optional Items

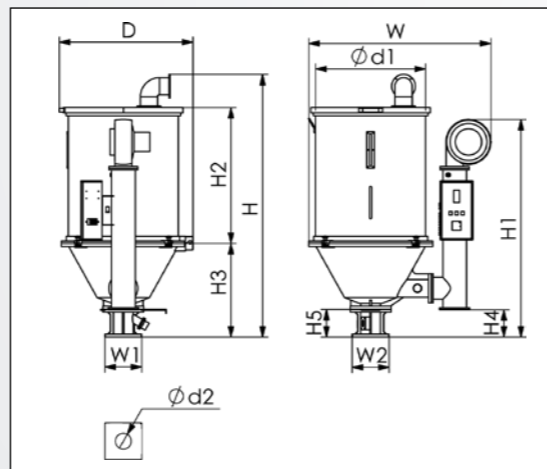
- Exhaust air filter, fan inlet filter, magnetic base, magnetic frame, hot air collector, bracket, mobile collection container, suction box and other accessories are optional;
- Double insulation function is optional;
- HLINK networking function are optional;

Note

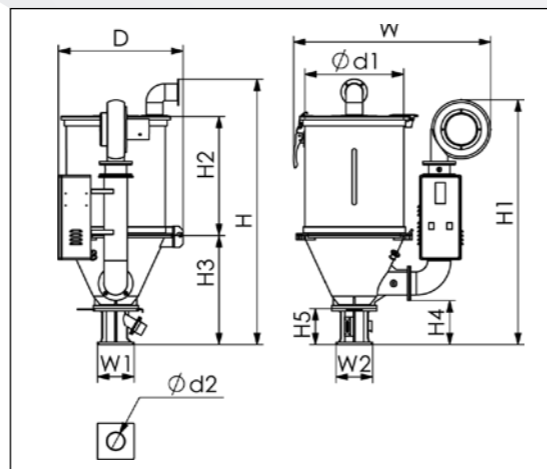
- The loading capacity is based on standard plastic raw materials with particle diameter 3-5mm and bulk density about 0.65kg/L ;
- Standard voltage: 3 phase 400V, 50Hz;
- If need to customize special specifications, please contact us for confirmation;
- Product specifications are subject to change without notice..



HTHD-50HL



12E&200E-400E View

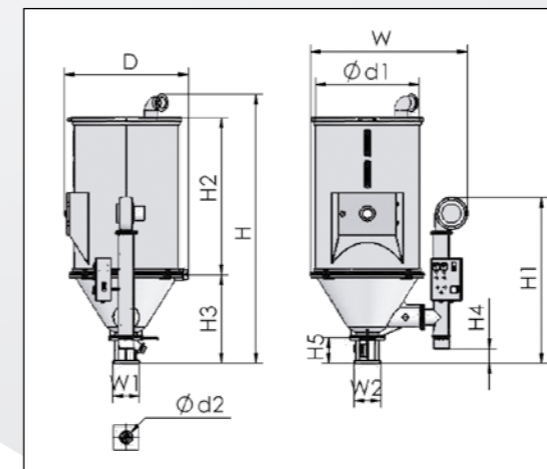


25E-150E View

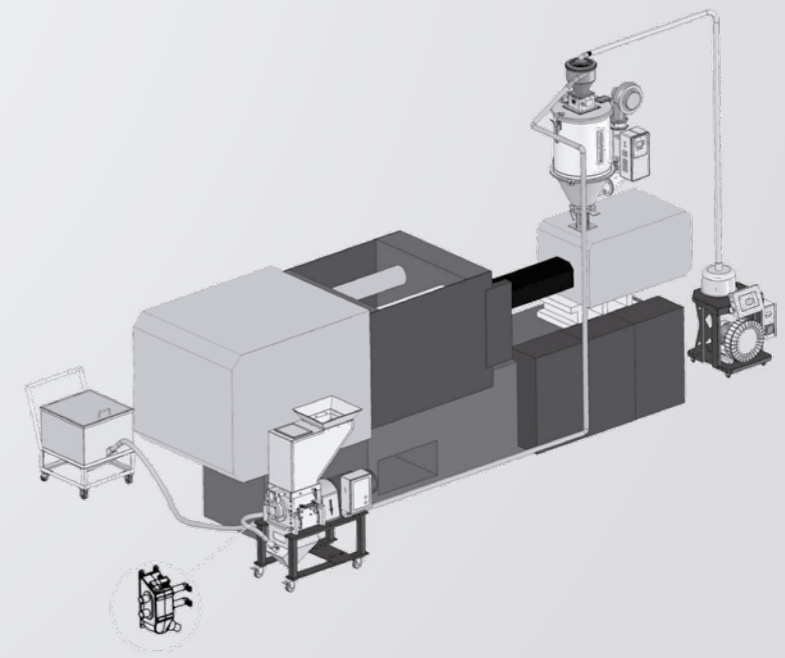
Specification

Model		HTHD-12E	HTHD-25E	HTHD-50E	HTHD-75E	HTHD-100E	HTHD-150E
Loading capacity	kg	12	25	50	75	100	150
Heating power	kW	2.1	2.7	3.9	5	6.4	7.8
Fan power	kW	0.14	0.14	0.17	0.17	0.35	0.35
Weight	kg	31	36	53	56	85	118
H	mm	820	990	1165	1250	1425	1500
H1	mm	750	980	1075	1140	1200	1210
H2	mm	370	460	520	610	725	775
H3	mm	325	410	480	470	535	570
H4	mm	50	190	195	200	225	200
H5	mm	110	160	160	160	175	170
D	mm	375	490	545	610	685	710
φ d1	mm	300	350	435	495	550	630
φ d2	mm	48	61	74	74	81	92
W	mm	630	745	865	910	1020	1160
W1	mm	110	150	160	160	177	220
W2	mm	110	150	160	160	177	220

Model		HTHD-200E	HTHD-300E	HTHD-400E	HTHD-600E	HTHD-800E	HTHD-1000E
Loading capacity	kg	200	300	400	600	800	1000
Heating power	kW	10	15	20	27	32	32
Fan power	kW	0.75	0.75	0.75	0.75	1	1
Weight	kg	155	215	265	300	320	340
H	mm	1685	1855	1995	2290	2665	2830
H1	mm	1265	1545	1560	1705	1705	1950
H2	mm	825	935	1030	1270	1650	1650
H3	mm	610	675	710	765	765	950
H4	mm	140	105	120	120	120	150
H5	mm	210	210	210	255	255	270
D	mm	760	915	1000	1160	1160	1310
φ d1	mm	700	760	835	995	995	1095
φ d2	mm	105	110	120	135	135	135
W	mm	1170	1290	1385	1585	1580	1665
W1	mm	240	280	320	320	320	320
W2	mm	240	280	320	320	320	320



600E-1000E View

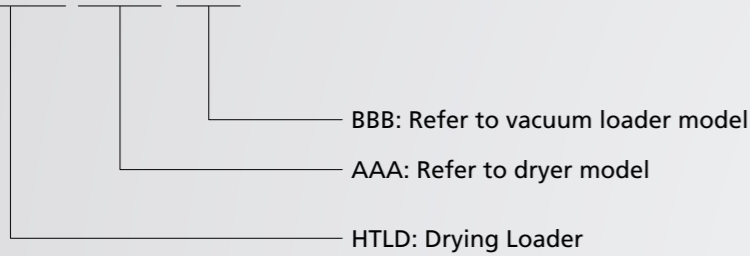


Installation diagram

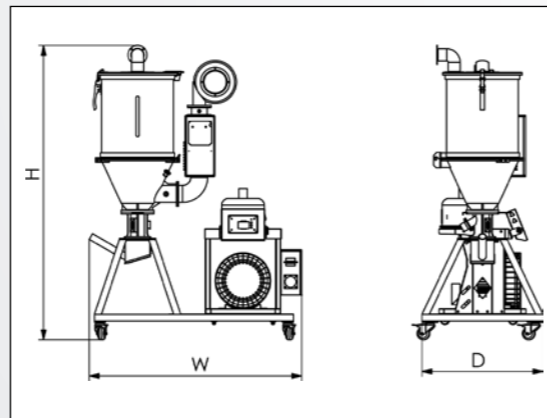


HTLD Drying Loader

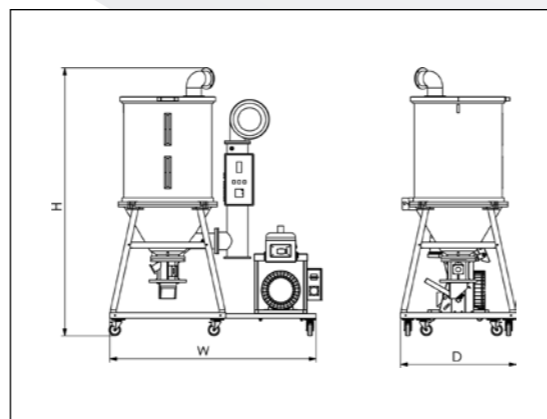
HTLD-AAA-BBB



HTLD-50HL/1.5P HUL



HTLD-25E/300GN HUL~HTLD-200E/3P-D HUL



HTLD-300HL/2.5P HUL ~ HTLD-400HL/3P-D

Specification

Model	Dryer model	Loader model	Hopper model	Hopper capacity L	Conveying capacity kg/hr	Dimension H×W×D mm
HTLD-25HL/300GN HUL	HTHD-25HL	HTAL-300GN HUL	1*MH-6L	6	350	1600×1290×730
HTLD-25HL/1.5P HUL		HTAL-1.5P HUL				
HTLD-25HL/1.5P-D HUL		HTAL-1.5P-D HUL				
HTLD-50HL/300GN HUL	HTHD-50HL	HTAL-300GN HUL	1*MH-6L	6	350	1780×1290×730
HTLD-50HL/1.5P HUL		HTAL-1.5P HUL				
HTLD-50HL/1.5P-D HUL		HTAL-1.5P-D HUL				
HTLD-75HL/300GN HUL	HTHD-75HL	HTAL-300GN HUL	1*MH-6L	6	350	1860×1290×730
HTLD-75HL/1.5P HUL		HTAL-1.5P HUL				
HTLD-75HL/1.5P-D HUL		HTAL-1.5P-D HUL				
HTLD-100HL/300GN HUL	HTHD-100HL	HTAL-300GN HUL	1*MH-6L	6	350	2100×1410×840
HTLD-100HL/1.5P HUL		HTAL-1.5P HUL				
HTLD-100HL/1.5P-D HUL		HTAL-1.5P-D HUL				
HTLD-150HL/300GN HUL	HTHD-150HL	HTAL-300GN HUL	1*MH-6L	6	350	2170×1500×840
HTLD-150HL/1.5P HUL		HTAL-1.5P HUL				
HTLD-150HL/1.5P-D HUL		HTAL-1.5P-D HUL				
HTLD-200HL/2.5P HUL	HTHD-200HL	HTAL-2.5P HUL	1*MH-12L	12	550	2380×1580×840
HTLD-200HL/2.5P-D HUL		HTAL-2.5P-D HUL	1*MH-12L 1*PH-12L	12+12	650	
HTLD-300HL/2.5P HUL	HTHD-300HL	HTAL-2.5P HUL	1*MH-12L	12	550	2310×1780×1000
HTLD-300HL/2.5P-D HUL		HTAL-2.5P-D HUL	1*MH-12L 1*PH-12L	12+12	650	
HTLD-400HL/2.5P HUL	HTHD-400HL	HTAL-2.5P HUL	1*MH-12L	12	550	2460×1980×1200
HTLD-400HL/2.5P-D HUL		HTAL-2.5P-D HUL	1*MH-12L 1*PH-12L	12+12	650	

Note: When choosing photo sensor loader, model is referred as following:
If HTLD-50HL/1.5P-D HUL machine equipped with photo sensor loader, model will be: HTLD-50HL/1.5P-DE HUL

Introduction

For HTLD drying loader, dryer and loader are combined together by L-shaped bracket. It is equipped with suction box and bracket casters for easy movement. The combined function of drying and feeding is convenient for customers to use directly.

Features

For configuration of drying section, please refer to dryer introduction; For configuration of loading section, please refer to vacuum loader introduction; Standard configuration includes L-shaped bracket and single-pipe suction box;

Optional Items

Exhaust air filter, fan inlet filter, magnetic base, magnetic frame, hot air collector, mobile collection bin, suction box are optional; Double insulation function is optional; Double insulation function is optional.

Note

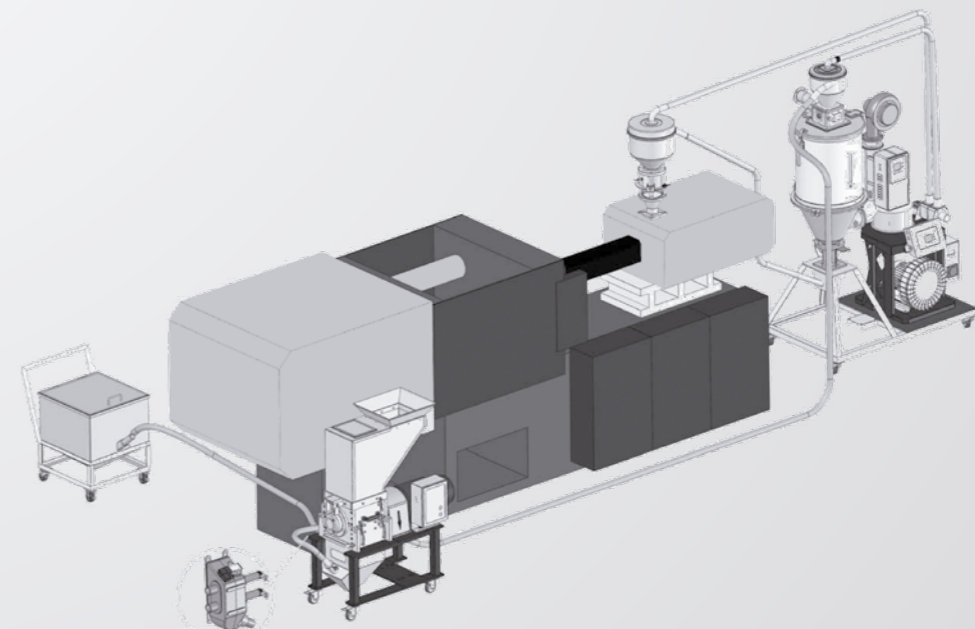
Specified voltage is required for power supply; If need to customize special specifications, please contact us for confirmation; Product specifications are subject to change without notice.



6L Mechanical hopper/MH-6L



12L Photoelectric hopper/PH-12L



Installation diagram



Optional accessories for drying loader

Exhaust air filter

It can effectively filter dust-containing gas exhausted from dryer, avoiding of air pollution and protecting environment. The filter efficiency can reach 99%;

Model	Applicable model
EAF-12	HTHD-12E
EAF-25	HTHD-25E
EAF-50	HTHD-50E~75E
EAF-100	HTHD-100E~150E
EAF-200	HTHD-200E~1000E



EAF-50

Fan inlet filter

For fan inlet filter, wind amount is adjustable, and can keep dried materials clean as well as improve quality of transparent material molding.

Model	Applicable Model	Diameter of filter cylinder(mm)
FIF-12	HTHD-12E	115
FIF-25	HTHD-25E	150
FIF-50	HTHD-50E~75E	150
FIF-100	HTHD-100E~150E	205
FIF-200	HTHD-200E~600E	205
FIF-800	HTHD-800E~1000E	205



FIF-50

Magnetic base

Magnetic base effectively absorbs iron impurities in raw materials, and prevent iron impurities into barrel, in that way, screw and barrel will not be harmed. It can also be used with hopper magnetic frame together.

Model	Applicable model	Magnetic tube quantity
MB-12	HTHD-12E	3
MB-25	HTHD-25E	3
MB-50	HTHD-50E~75E	3
MB-100	HTHD-100E~150E	5
MB-200	HTHD-200E~300E	5
MB-400	HTHD-400E~1000E	5



MB-50

Magnetic frame

Magnetic base effectively absorbs iron impurities in raw materials, and prevent iron impurities into barrel, in that way, screw and barrel will not be harmed. It can also be used with hopper magnetic frame together.

Model	Applicable model	Magnetic tube quantity
MF-5	HTHD-12E	5
MF-7	HTHD-25E	7
MF-9	HTHD-100E~400E	9
MF-11	HTHD-600E~1000E	11



MF-11

Mobile collection container

Storing materials, with casters for easy movement, flexible reloading; standard 1.5" single suction pipe, keep raw materials clean.

Model	Loading Capacity(kg)	Dimension
MCBY-25	25	φ 381×690
MCBY-50	50	φ 381×900



MCBY-25

MCBX-100	100	670×670×925
MCBX-150	150	815×815×1025
MCBX-200	200	815×815×1140
MCBX-300	300	915×915×1270
MCBX-400	400	1115×1115×1270



MCBX-200

Hot air collector

Dried hot air will flow into semi-closed circuit to avoid of increasing temperature in factory, keeping air clean and maintaining product quality. Hot air recycling can reduce energy consumption and save about 40% energy.

Model	Applicable model	Diameter of Filter barrel(mm)
HAR-12	HTHD-12E	115
HAR-25	HTHD-25E	150
HAR-50	HTHD-50E~75E	150
HAR-100	HTHD-100E~150E	205
HAR-200	HTHD-200E~600E	205
HAR-800	HTHD-800E~1000E	205

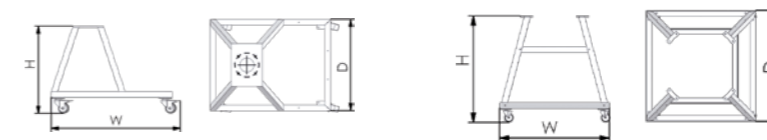


HAR-50

Bracket

When the dryer is placed on ground, it can be installed on bracket which has casters for easy movement. It is suitable for factories with insufficient height and is convenient to adapt with machine desk.

Model	Applicable model	Dimension
GF-50	HTHD-12E~75E	537×850×520
GF-100	HTHD-100E~150E	587×970×720
GF-200	HTHD-200E	652×1240×840
GF-300	HTHD-300E	775×1000×1000
GF-400	HTHD-400E	1150×1200×1200
GF-600	HTHD-600E~800E	1255×1300×1300
GF-1000	HTHD-1000E	1635×1300×1300



GF-50-200

GF-300-1000



GF-400

Suction box

The dryer is used together with suction machine when it is installed on the bracket, reducing manpower and improving efficiency.

Model	Applicable model	Diameter of pipe(Inch)
HSB-50-38S	HTHD-25E~150E	1.5"
HSB-50-38D	HTHD-25E~150E	1.5"×2
HSB-50-50S	HTHD-25E~150E	2"
HSB-50-50D	HTHD-25E~150E	2"×2
HSB-200-38S	HTHD-200E~1000E	1.5"
HSB-200-38D	HTHD-200E~1000E	1.5"×2
HSB-200-50S	HTHD-200E~1000E	2"
HSB-200-50D	HTHD-200E~1000E	2"×2



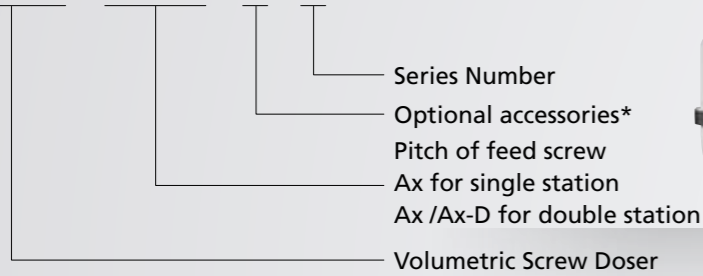
HSB-50-38S

Note: Add "C" into Model name when with feeding stop function



HTCM Volumetric Screw Doser

HTCM - AXAX / X - P



Note: *
 Mix(Mix6)=with blender (6L blender) HT=High torque stepper motor(For recycled materials)
 HF=Heavy duty base LS=Level sensor SF= Loading bracket VL=Compressed air suction machine D=Double station

Introduction

HTCM series screw dosers are suitable for automatically proportion mixing of new materials, recycled materials, color masterbatch or additives. The machine equipped with stepper motor 0~200RPM, and there are five types of feed screw A3, A10, A15, A20, A30 for five models respectively, providing output range 0.2~50kg/hr to meet various customers' demand. Also two-color screw dosers are available, any two screw dosers can be combined together according to customer needs. If choosing four-color screw dosers, automatically proportional mixing of five components can be achieved.

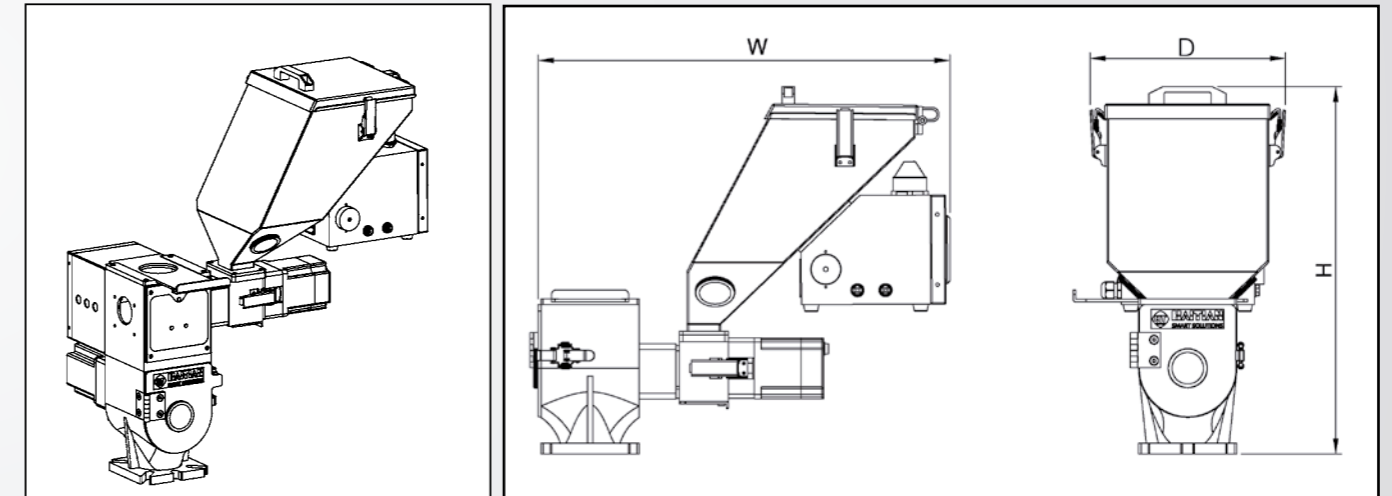
Features

- Feed screw is durable and made of stainless steel by precision casting;
- Modular assembly structure, easy to disassemble, easy to clean and interchange;
- Meeting requirements of external signal input at the same time;
- It has forced clearing function to conveniently change color masterbatch;
- Also suitable for extruders if change a few wiring;
- RPM can automatically adjust to processing speed of extruders in order to maintain fixed color masterbatch proportion;
- 50 sets of parameter formula, permanently records of discharge time and finished product weight (or maximum discharge amount per minute for extruder);
- Adopting stepper motor, accurate and stable;
- Color masterbatch can be added once in several cycles to meet micro-metering requirement ;
- RS458 communication function is optional.

Specification

Model		HTCM-A3	HTCM-A10	HTCM-A15	HTCM-A20	HTCM-A30	HTCM-AX/AX-D
Metering motor power	kW	0.2					0.2*2
Metering motor rotation speed	rpm	1~200					1~200
Outer diameter of screw	mm	20			30		20/30
inner diameter of barrel	mm	30			40		30/40
Max. output	kg/hr	0.2~2	0.7~6	1~16	1.5~27	3.6~50	Refer to left
Color hopper	Ltr	10					
Intermediate hopper	Ltr	optional MIH18/24					
Mixing motor power	kW	0.9(optional)					
Mixing chamber capacity	Ltr	3L or (6L optional)					
Voltage		1Ø,220VAC, 50/60Hz					

Dimension		
H		551/711 (With mixer)
W	mm	582
D		278/459 (With mixer)



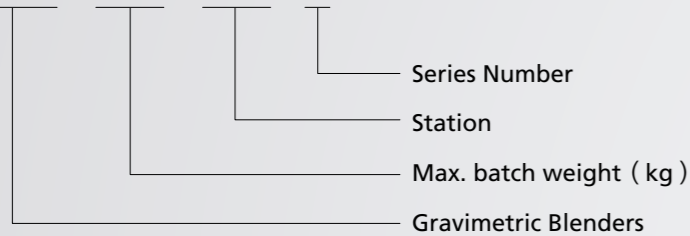
Optional Items

- Heavy-duty base (HF-2) is required when using HTHD-100~300. And heavy-duty base (HF-3) is for HTHD-400~600;
- Up to four color masterbatch adding models are available;
- High temperature type metering screw doser HTCM-PET is for PET high temperature applications, cooling water must be normal temperature water for this model;
- Y-type recycle material seat is optional for demand of two material proportional production;
- Blender(MIX3 or MIX6) is optional to meet customer's double mixing requirements. Double station is equipped with 3L blender MIX3;
- Main hopper (MIH) is optional for adding main raw materials;
- Low level indicator (LS) is optional for early warning of lacking of master batch;
- 30mm diameter screw is optional for demand of large output applications;
- It can be set that adding color masterbatch once in several cycles to meet micro-metering requirement ;
- Loading bracket (SF) is optional to be used with suction machine installed on the master batch mixer;
- Compressed air loader (VL) is optional to meet low noise and high precision conveying.



HTGB Gravimetric Blenders

HTGB - AAA - BBB - P



HTGB-5-4

Introduction

The HTGB Series gravimetric blender is suitable for applications where multiple raw materials are required for precise proportional mixing by weight. The controller of this series has high accuracy control system and adopts adaptive algorithm. It can automatically repeat calibration to ensure accuracy, easy to learn and operation. This series of products uses high-precision AD conversion module, so that mixing ratio error between batches (depending on settled proportion ratio) can be controlled within $\pm 0.1\% \sim 0.5\%$. Choosing right model is based on types of material and processing amount per hour. The amount of processing per hour ranges from 90 to 2890 kg/hr.

Features

- All materials are evenly mixed after measuring by gravity, and precision can be strictly controlled;
- Advanced batching technology can accurately control and meter amount of each processed raw material;
- The automatic repeat calibration function will be automatically corrected and adjusted after each weighing to ensure the best batching accuracy;
- Up to 7 kinds of raw materials can be processed at the same time;
- Modular removable structure design, easy to clean;
- With recipe storage function, up to 40 recipes can be stored;
- With alarm history record function;
- The HTGB-1, HTGB-2 and HTGB-5 are machine-mounted type (standard base, manual close plate); HTGB-10, HTGB-18 and HTGB-25 are bracket-mounted type (bracket, storage bin, discharge valve and suction box);
- Optional USB data output function, can be saved and record receipt data;
- With RS485 communication interface, can communicate with Haitian injection molding machine to realize centralized monitoring.

Note

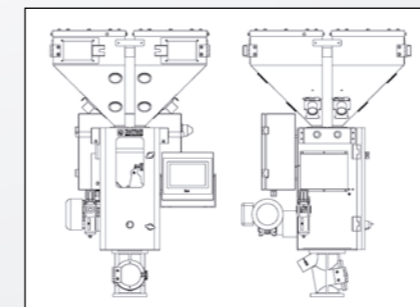
- The mixing proportional error refers to difference between settled percentage and actual percentage of each component;
- The gate metering valve is suitable for 5% and above mixing proportion, and mixing proportional error within $\pm 0.3-0.5\%$;
- Screw meter or micrometer are suitable for 0.2% to 0.5% proportion;
- Max batch weight and mixing proportional error mentioned above are based on data obtained by continuous processing of uniform raw material pellets with bulk density 0.65 kg/L and diameter $\phi 3-4$ mm.
- The maximum output will be different according to number of measurement station and proportion;
- Ensuring working pressure of air valve 6kgf/cm²;
- Standard voltage: 3 phase 380VAC, 50/60Hz
- If need to customize special specifications, please contact us for confirmation;
- Product specifications are subject to change without notice

Specification

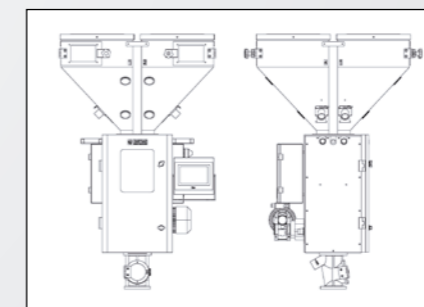
Model		HTGB-1			HTGB-2					HTGB-5				
Station	STA.	-2	-3	-4	-2	-3	-4	-5	-6	-2	-3	-4	-5	-6
Max. output	kg/hr	130	110	90	260	230	210	205	195	840	740	670	650	600
Hopper Capacity	Ltr	17			33					33				
Batch weight	kG	1			2					5				
Weight bin capacity	Ltr	4			6					10				
Mixing motor power	kW	0.12			0.37					0.37				
Mixing chamber capacity	Ltr	6			15					15				
Voltage standard		3 phase, 380V 50/60Hz												

Model		HTGB-10							HTGB-18							HTGB-25						
Station	STA.	-2	-3	-4	-5	-6	-7	-2	-3	-4	-5	-6	-7	-2	-3	-4	-5	-6	-7			
Max. output	kg/hr	1860	1625	1440	1310	1190	1100	2400	2200	2000	1800	1700	1600	2890	2740	2530	2350	2200	2060			
Hopper Capacity	Ltr	52/70(Medium)							52/70(Medium)							70						
Batch weight	kG	10							18							25						
Weight bin capacity	Ltr	24							45							65						
Mixing motor power	kW	0.55							0.55							0.75						
Mixing chamber capacity	Ltr	35							35							65						
Voltage standard		3 phase, 380V 50/60Hz																				

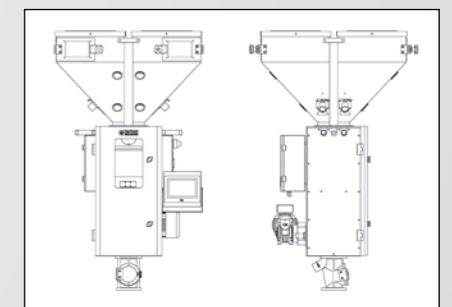
Dimension		HTGB-1	HTGB-2	HTGB-5	HTGB-10	HTGB-18	HTGB-25
H	mm	920	1180	1280	2600	2725	2880
W		647	843	843	1370	1370	1750
D		697	892	892	1340	1340	1663



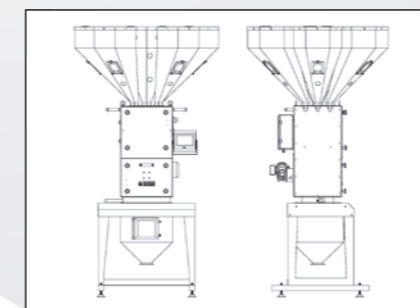
HTGB-1-X View



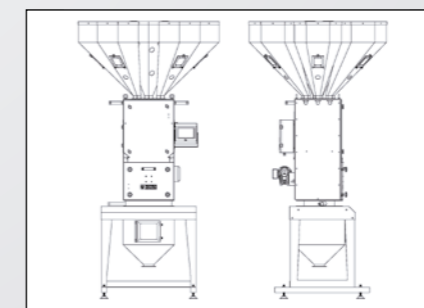
HTGB-2-X View



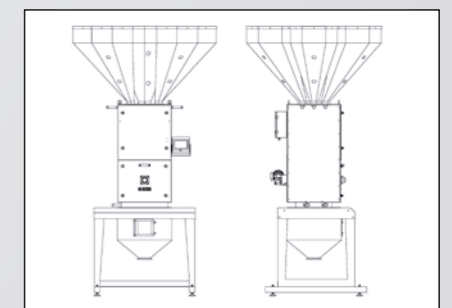
HTGB-5-X View



HTGB-10-X View



HTGB-18-X View



HTGB-25-X View



HTHS Color mixer

HTHS -A-BBB-CCC

CCC:EA=Fixed feet
EB=Caster rack
T= with drying function (HTHSL models only)

BBB:Mixing amount (kg)

A: Null=Vertical color mixer
L= Vertical spiral color mixer

HTHS: Color Mixer



HTHS-50EA

Specification

Model		HTHS-50E	HTHS-100E	HTHS-150E	HTHS-200E
		EA Fix feet caster bracket		EB caster bracket	
Type		Vertical			
Motor power	kW	1.5	3	4	5.5
Mixing amount	kg	50/3	100/3	150/4	200/4
Weight	kg	150	284	305	360
Dimension	mm	790×790×1115	1035×1035×1255	1150×1150×1355	1225×1225×1480

Model		HTHSL-500	HTHSL-1000	HTHSL-2000	HTHSL-3000	HTHSL-5000
Type		no drying function				
Motor power	kW	4kW-4P	4kW-4P	5.5kW-4P	7.5kW-4P	7.5kW-6P
Heater Power	kW					
Mixing amount	kg	500	1000	2000	3000	5000
Dimension	mm	D 1200×2650	D 1500×2800	D 1800×3250	D 2000×3750	D2400×4200

Model		HTHSL-500T	HTHSL-1000T	HTHSL-2000T	HTHSL-3000T	HTHSL-5000T
Type		with drying function				
Motor power	kW	4kW-4P	4kW-4P	5.5kW-4P	7.5kW-4P	7.5kW-6P
Heater Power	kW	12	15	20	36	40
Mixing amount	kg	500	1000	2000	3000	5000
Dimension	mm	D 1200×2650	D 1500×2800	D 1800×3250	D 2000×3750	D2400×4200

Introduce

HTHS series vertical color mixer is for granular material mixing. It has simple structure, easy to operate, maintenance and clean, process quickly and good mixing performance. It is an ideal mixing equipment, mainly used for mixing plastic materials and also be widely used in plastics, metallurgy, ceramics and other industries.

Features

The barrel body and stirrer blade are made of stainless steel, easy to clean, no pollution;
Safety chain protection device ensure safety of operator and machine;
Thick steel wall, strong and durable;
Uniform mixing completed in a short time, low energy consumption and high efficiency;
Automatic stop device, can be set to automatically stop within 0-15 minutes.

Note

Standard voltage: 3 phase 380V 50Hz;
If need to customize special specifications, please contact us for confirmation; Product specifications are subject to change without notice.



HTHS-150EB



HTHSL-500



HTAL Vacuum feeder

HTAL -AAA-BBB-CCC

CCC:D=Dual model
 E=With photo sensor loader
 HUL=Simple European networking configuration
 UL=Europeanization networking configuration
 BBB GE=Direct suction type
 GN=Separated type
 P=Separated type
 AAA 300= Single phase 1.5P air pump
 1.5/2.5/3/5/10 are HP value of three-phase air pump
 HTAL:Vacuum suction feeder



HTAL-1.5P HUL

Introduce

HTAL series automatic loader is equipped with stainless steel hoppers, high-efficiency vacuum motors, motor overload protection devices and automatic alarms for lacking of materials. And it has advantages of light, durable, strong suction ability, easy installation and operation.

Features

Loader is independent from machine, safe and convenient; Operation is controlled by microcomputer; Separated filter unit for easy removal of dust; Stainless steel hopper, light, durable and easy to clear material; The control box is designed independently and easy to maintain; Equipped with buzzer alarm device for material shortage protection; HUL model equipped with main power switch & LCD display & networking function; UL model equipped with main power switch & pulse washing of filter & LCD display & networking function.

Note

Standard voltage: Single phase 230V 50Hz for Model 300GE and 300GN; 3 phase 400V 50Hz for other models; If need to customize special specifications, please contact us for confirmation; Product specifications are subject to change without notice.



MH-6L mechanical hopper



MH-25L mechanical hopper



PH-6L photoelectric hopper



HTAL-300GE



HTAL-2.5P-D HUL



HTAL-3P-UL

Specification

Model		HTAL-300GE	HTAL-300GN HUL	HTAL-1.5P HUL	HTAL-1.5P-D HUL	HTAL-2.5P HUL	HTAL-2.5P-D HUL	HTAL-3P HUL	HTAL-3P-D HUL
Motor type		Carbon brush type			Induction type				
Motor power	kW	1.1 (1 ϕ)			1.1 (3 ϕ)		1.8 (3 ϕ)		2.2 (3 ϕ)
Conveying capacity	kg/hr	350	400	450	450	550	550	630	630
Hopper		MH 6L	MH 6L	MH 6L	MH 6L X1 PH 6L X1	MH 12L	MH 12L X1 PH 12L X1	MH 24L	MH 24L X1 PH 24L X1
Feeding pipe/air pipe	Inch	1.5/1.5			1.5/1.5			2.0/2.0	
Weight	kg	15	18	50	58	63	72	67	76

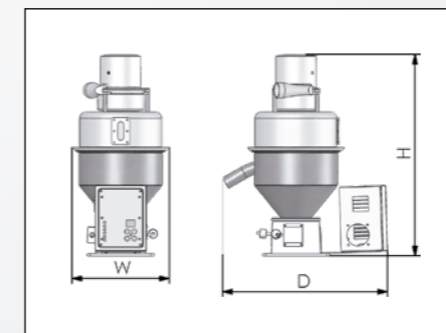
Dimension									
H	mm	630	490	820	820	820	820	820	820
W	mm	305	300	550	550	550	550	550	550
D	mm	515	460	525	525	525	525	525	525

Model		HTAL-1.5P UL	HTAL-2.5P UL	HTAL-3P UL	HTAL-5P UL	HTAL-10P UL
Motor type		Induction type				
Motor power	kW	1.1 (3 ϕ)		1.8 (3 ϕ)		7.5 (3 ϕ)
Conveying capacity	kg/hr	450		550		1400
Hopper		MH 6L		MH 12L		MH 36L
Feeding pipe/air pipe	Inch	1.5/1.5		1.5/1.5		2.0/2.5
Weight	kg	60		69		100

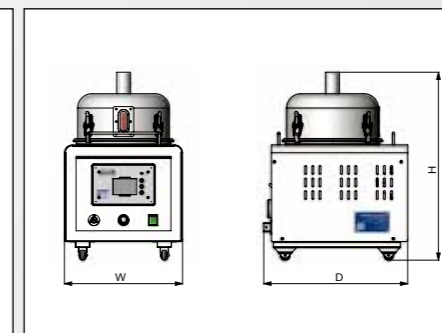
Note: If dual model, change P to P-D, equipped with additional one set of PH type loader with same volume

Dimension						
H	mm	1050	1050	1110	1110	1430
W	mm	555	555	555	555	705
D	mm	630	630	630	630	660

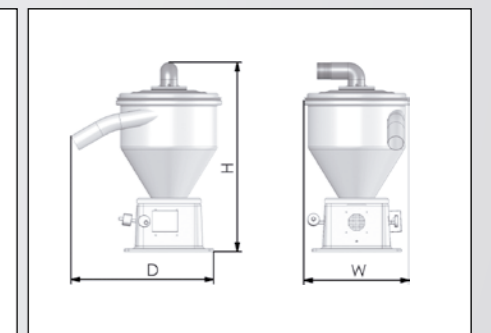
Items	Model	Mechanical hopper				Photo sensor hopper			
		MH 6L	MH 12L	MH 24L	MH 36L	PH 6L	PH 12L	PH 24L	PH 36L
H	mm	445	545	740	940	645	745	940	1140
W	mm	250	320	320	320	250	320	320	320
D	mm	335	385	385	385	355	385	385	385



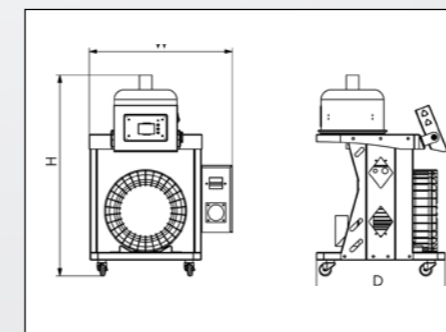
HTAL-300GE View



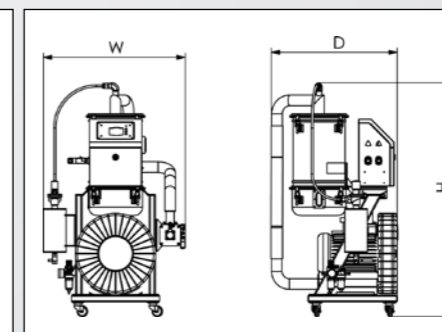
HTAL-300GN HUL View



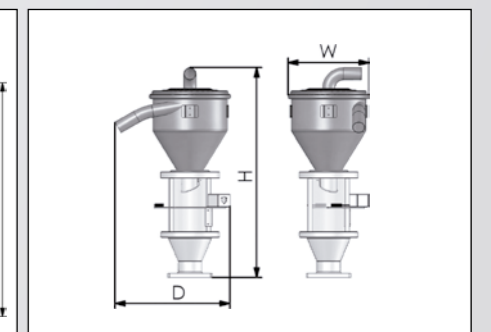
MH Mechanical hopper view



HTAL-P HUL



HTAL-P HUL



PH Photo sensor hopper view

SMART SOLUTIONS

Mold temperature controlling

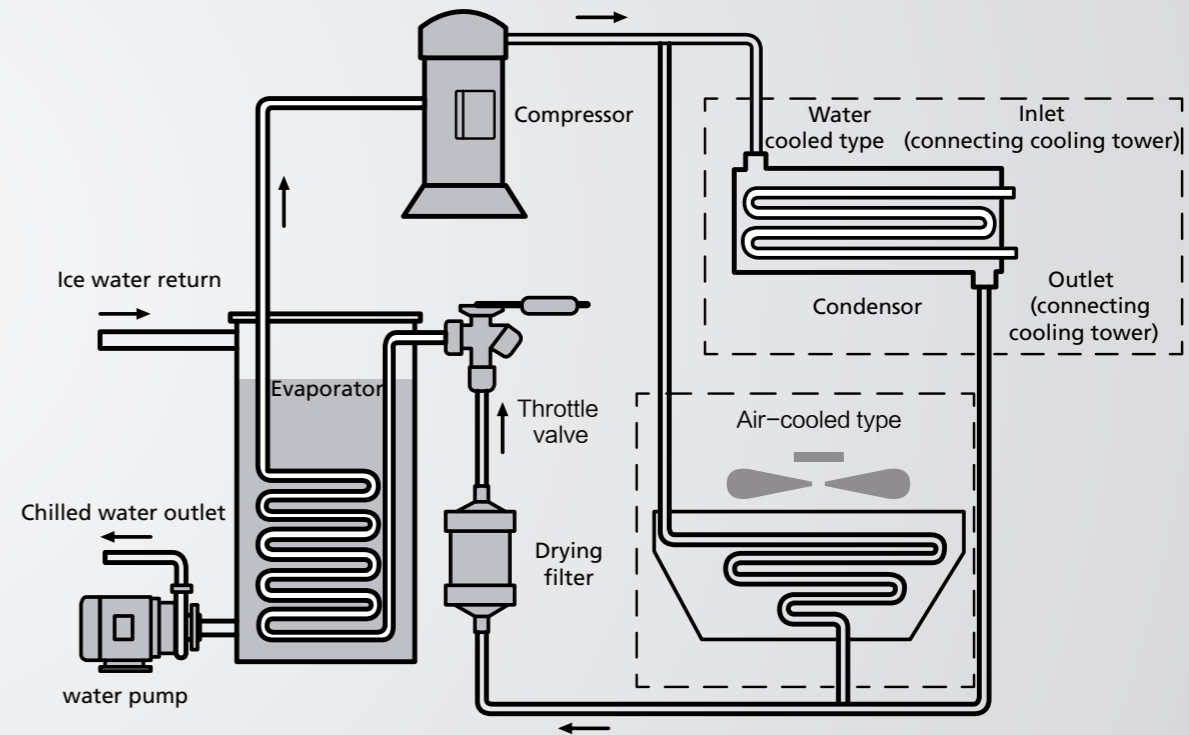


HTC Industrial chiller

HTC-AAA-BBB-CCC

- CCC:
 - D= Dual screw compressor
 - T=Triple screw compressor
 - L=Double layers water cooling type
- BBB:
 - ACI=Air-cooled coil evaporator
 - SACI=Air-cooled shell evaporator
 - PACI=Air-cooled board evaporator
 - WCI=Water-cooled coil evaporator
 - SWCI=Water-cooled shell evaporator
 - PWCI=Water-cooled board evaporator
- AAA:Compressor power(unit: HP)
- HTC:Industrial chiller

Water-cooled industrial chiller cabinet schematic diagram



Introduce

HTC series industrial chillers are mainly used in plastics industry. It can accurately control temperature of plastic molding dies to shorten molding cycle and speed up product molding;Also suitable for cooling various hydraulic presses to stably maintain oil working temperature;It is also applicable to other industries such as electroplating industry / food industry / electronics industry and bleaching & dyeing industry.The series of chillers can be divided into two types according to structure design: air-cooled and water-cooled, can accurately and stably provide ice water with temperature range of 5 ~ 30 °C (temperature difference less than ± 1 °C), cooling capacity 6,800 to 120,000 kcal /hr.

Features

- Adopting high-quality new design compressors imported from Europe and United States,with famous brand pumps and fans, saving power and durability;
- Unique new design radiator, good heat transfer performance;
- With stainless steel open design water tank, easy to clean and repair;
- Equipped with microcomputer temperature controller, temperature can be controlled precisely within ± 1 °C;
- The machine has functions of automatic replenishment, reverse-phase protection, current overload protection, high-low voltage protection and multiple electronic time delays. When failure occurs, an alarm is issued.
- Dual screw compressors work alternately to effectively balance running time and increase machine life.



Coil evaporator
HTC-XX ACI
HTC-XX WCI



Plate exchange evaporator
HTC-XX PACI
HTC-XX PWCI

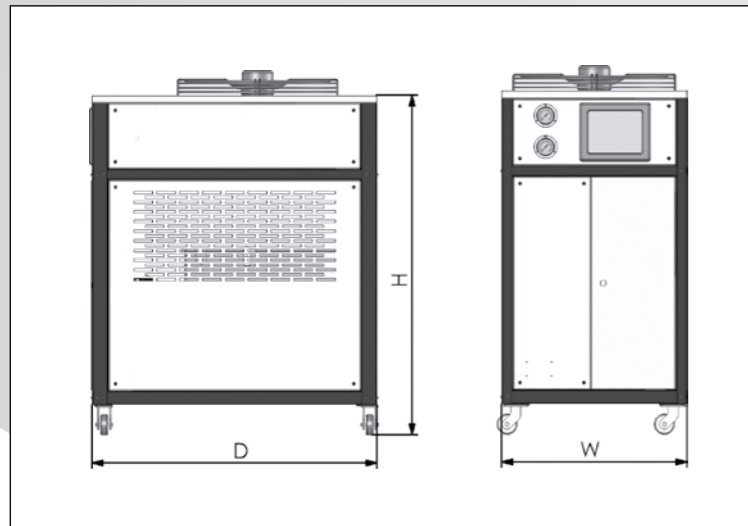


Shell and tube exchange evaporator
HTC-XX SACI
HTC-XX SWCI

SMART SOLUTIONS

Mold temperature controlling

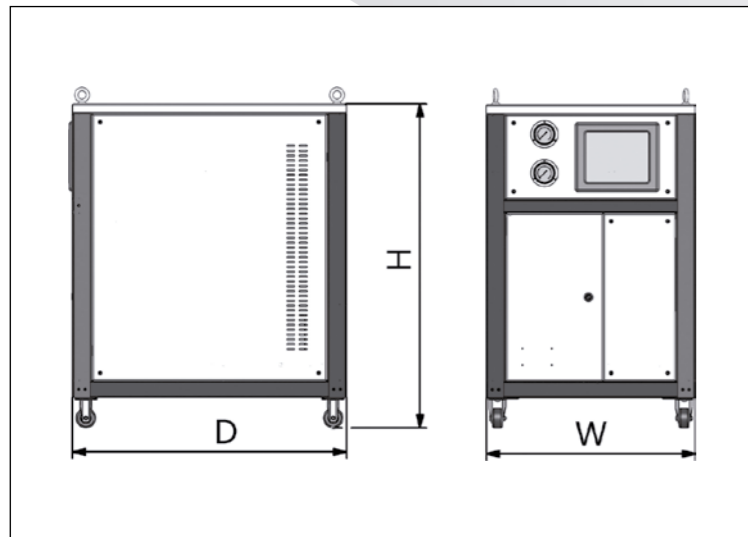
Air-cooled chiller view



Specification Air-cooled industrial chiller cabinet

Model	Unit	HTC-03ACI	HTC-05ACI	HTC-08ACI	HTC-10ACI	HTC-12SACI	HTC-15SACI	HTC-20SACI-D	HTC-25SACI-D	HTC-30SACI-D	HTC-40SACI-D	HTC-50SACI-D	
Cooling capacity	kW	8	14	22	30	37	42	52	62	86	104	125	
	Kcal/h	6800	12040	19000	25200	32000	37000	45000	54000	74000	90000	108000	
Compressor	type	Hermetic scroll type											
	power	2.5	4.4	7	9	10.5	13.4	9x2	10.5x2	13.4x2	17.8x2	20x2	
Freezing media	type	R22(R407C)											
Evaporator	type	Immersive water tank type					Shell and tube evaporator						
	type	Finned condenser											
Air-cooled condenser	Fan power	0.25	0.6	0.25x2	0.45x2	0.45x2	0.6x2	0.45x4	0.6x4	0.6x4	0.6x4	0.6x6	0.7x6
	Power	0.75	0.75	1.5	1.5	1.5	3	3	3	4	5.5	5.5	
Water pump	Flow	83	83	208	208	208	330	330	330	500	660	660	
	Flow	L/min	83	83	208	208	208	330	330	330	500	660	660
Tank volume	L	100	100	160	200	160	160	250	250	320	450	450	
Chilled water pipe diameter	Inch	1	1	1.5	1.5	1.5	2	2	2	2.5	2.5	3	
Weight	kg	190	220	310	390	420	520	800	810	860	1000	1120	
Dimension													
H	mm	1250	1250	1450	1500	1500	1700	1800	1800	1900	1940	1940	
W	mm	680	680	700	800	900	960	1600	1600	1900	1950	1950	
D	mm	1060	1060	1360	1470	1470	1580	1480	1480	2400	2540	2840	

Water-cooled chiller view



Specification Water-cooled industrial chiller cabinet

Model	Unit	HTC-03WCI	HTC-05WCI	HTC-08WCI	HTC-10WCI	HTC-12SWCI	HTC-15SWCI	HTC-20SWCI-D	HTC-25SWCI-D	HTC-30SWCI-D	HTC-40SWCI-D	HTC-50SWCI-D	
Cooling capacity	kW	9	15	25	32	40	48	58	70	95	115	140	
	Kcal/h	7580	13500	21150	28000	34000	41000	50000	60000	82000	100000	120000	
Compressor	Type	Hermetic scroll type											
	Power	2.5	4.4	7	9	10.5	13.4	9x2	10.5x2	13.4x2	17.8x2	20x2	
Frozen media	Type	R22(R407C)											
Evaporator	Type	Immersive water tank type					Shell and tube evaporator						
	Type	Shell and tube evaporator											
Water-cooled condenser	Cooling water volume	L/min	≥36	≥60	≥100	≥135	≥160	≥200	≥135x2	≥160x2	≥200x2	≥240x2	≥300x2
	Power	kW	0.75	0.75	1.5	1.5	1.5	3	3	3	4	5.5	5.5
Water pump	Flow	L/min	83	83	208	208	208	330	330	330	500	660	660
	Flow	L/min	83	83	208	208	208	330	330	330	500	660	660
Tank volume	L	60	60	120	130	150	180	250	250	310	380	470	
Cooling water pipe diameter	Inch	1	1	1.5	1.5	1.5	2	1.5x2	1.5x2	2x2	2.5x2	2.5x2	
Chilled water pipe diameter	Inch	1	1	1.5	1.5	1.5	2	2	2	2.5	2.5	3	
Weight	kg	165	180	260	340	380	450	740	750	800	920	1000	
Dimension													
H	mm	1000	1000	1200	1200	1200	1360	1360	1360	1380	1470	1470	
W	mm	650	650	800	800	800	1000	1200	1200	1250	1400	1400	
D	mm	850	850	1050	1200	1300	1550	1800	1800	1900	2050	2050	

Optional Items

Model with R407C environment-friendly refrigerant, multiport shunt, high lift pump, external water tank is optional; HLINK network linking function is optional

The cooling capacity is obtained based on following conditions:

Chilled water outlet temperature 15°C
Cooling water inlet temperature 30°C
Air temperature 35°C

Note

Standard voltage: 3 phase 380V 50Hz.
The selection of model depends on injection molding amount and required cooling capacity.
If need to customize special specifications, please contact us for confirmation.
Product specifications are subject to change without notice.

SMART SOLUTIONS

Mold temperature controlling



HTC Industrial screw chiller unit

HTC-AAA-BBB

BBB:
 ASCS=Air-cooled shell evaporator single screw chiller
 ASCD=Air-cooled shell evaporator dual screw chiller
 WSCS=Water-cooled shell evaporator single screw chiller
 WSCD=Water-cooled shell evaporator dual screw chiller

AAA:Compressor power(unit:HP)

HTC:Industrial screw chiller unit

Introduce

HTC screw chiller unit series can provide 5~30°C ice water (temperature difference less than $\pm 1^\circ\text{C}$), There are two types air-cooled and water-cooled according to structure design. And cooling capacity is from 82,300 to 365,840 kcal/hr, which can be widely used in industries where require large refrigeration capacity, This machine adopts international advanced semi-hermetic screw compressor, integration of motor and compressor, no shaft seal leakage, safety, reliability and economy.

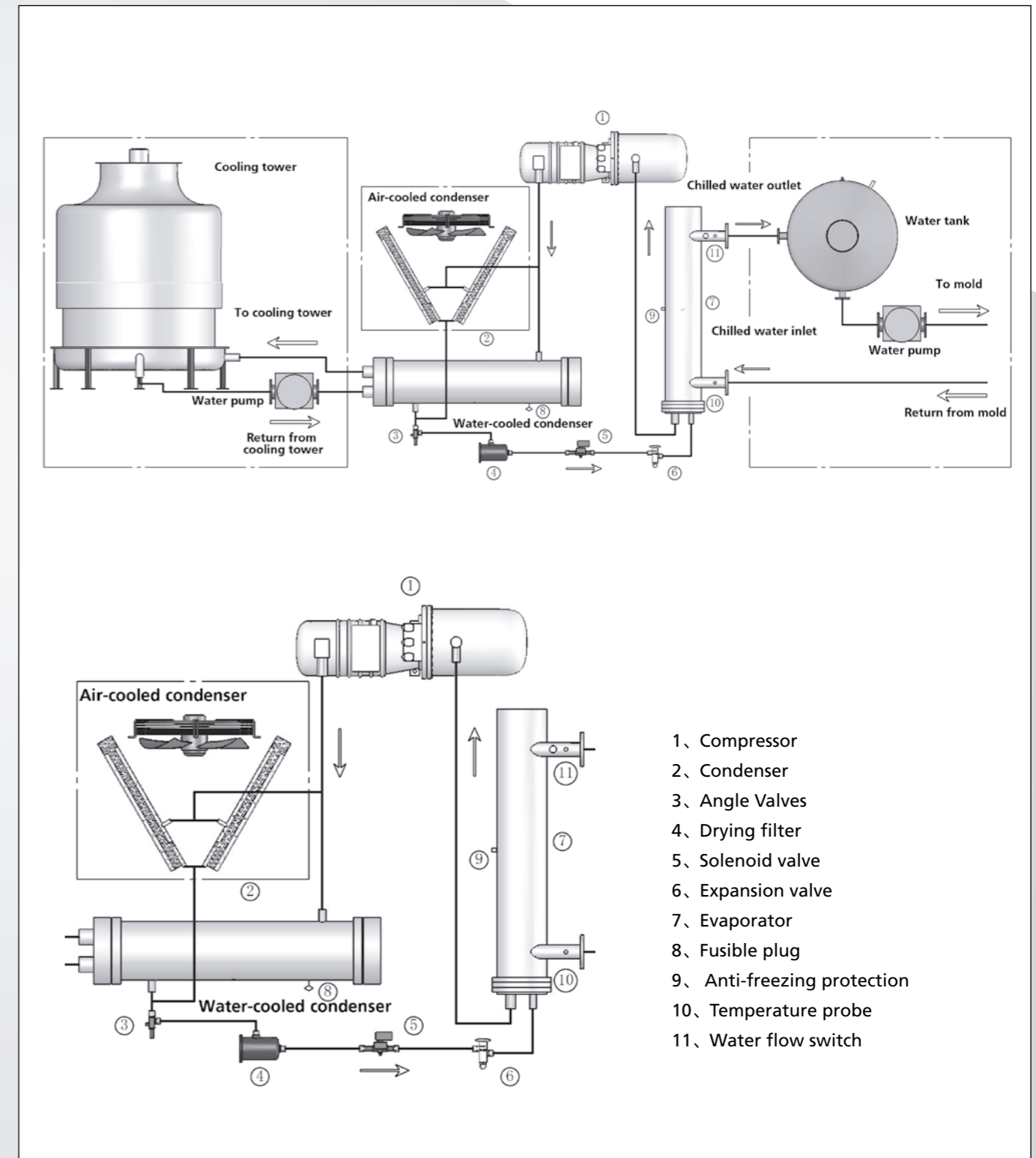
Features

The unit is equipped with high quality brand imported semi-hermetic screw compressors which are highly efficient, stable, energy-saving and low-noise;
 100% - 75% - 50% - 25% four-stage cooling amount regulation, which can make current is less impacted and the unit to operate smoothly and saving energy;
 With microcomputer controller specially for cooling and 10" LCD touch screen, all function can be controlled automatically. Friendly human-machine interface, working status instantly displayed and easy to operate;
 Equipped with high efficient shell-tube evaporator, with water-cooled shell-tube condenser or air-cooled finned condenser, which can ensure high efficient operation of the unit;
 The unit is equipped with a number of safety protection functions such as reverse phase and phase loss protection, overcurrent protection, short circuit protection, compressor overheat protection, high or low pressure protection, water flow detection antifreeze protection, four-stage cooling amount operation, and pressure safety valve.
 Configuration of screw chillers is according to actual project conditions. Therefore, required insulation tanks, pumps, and external pipe of the units are selected according to actual application. The standard configuration does not include above components.

Note

The standard voltage : 3 phase 380V 50Hz;
 The selection of model depends on injection molding amount and required cooling capacity;
 If need to customize special specifications, please contact us for confirmation;
 Product specifications are subject to change without notice.

Industrial screw chiller unit schematic diagram



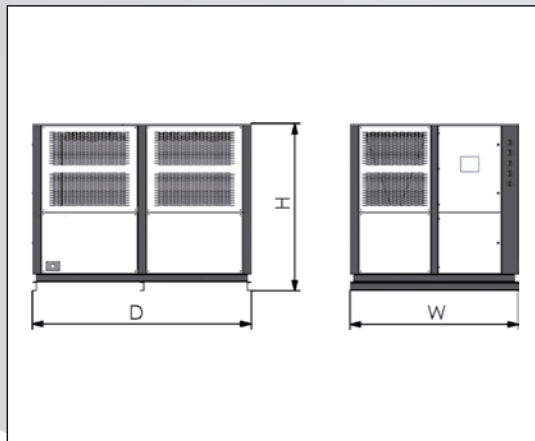
- 1、Compressor
- 2、Condenser
- 3、Angle Valves
- 4、Drying filter
- 5、Solenoid valve
- 6、Expansion valve
- 7、Evaporator
- 8、Fusible plug
- 9、Anti-freezing protection
- 10、Temperature probe
- 11、Water flow switch



Specification Air-cooled industrial screw chiller unit

Category			Single screw compressor					dual screw compressor		
Model			HTC-50ASCS	HTC-60ASCS	HTC-70ASCS	HTC-80ASCS	HTC-100ASCS	HTC-120ASCSD	HTC-140ASCSD	HTC-160ASCSD
Rated cooling capacity	Kcal/h		104570 (125484)	118500 (142200)	137420 (164904)	158840 (190608)	209000 (250800)	237000 (284400)	274800 (329760)	317600 (381120)
	kW		121.6 (145.92)	137.8 (165.36)	159.8 (191.76)	184.7 (221.64)	243 (291.6)	275 (330)	320 (384)	370 (444)
	Btu/h		414960 (497952)	470240 (564288)	545320 (654384)	630320 (756384)	829920 (995904)	940480 (1128576)	1090640 (1308768)	1659840 (1991808)
	Ton		34.6 (41.5)	39.2 (47.0)	45.4 (54.5)	52.5 (63.0)	69.1 (83.0)	78.4 (94.0)	90.9 (109.0)	105.0 (126.0)
Input power			3 phase 380V 50Hz(3 phase 380V 60Hz)							
Output power	kW		41.2	49.2	57.6	66.4	82	99.6	115.2	136.8
Refrigerant flow control			Thermal expansion valve							
Refrigeration circuit			1	1	1	1	1	2	2	2
Compressor	Category		semi-hermetic screw compressor							
	Quantity		1	1	1	1	1	2	2	2
	Start mode		Y-Δ start up							
	Capacity control		100%-75%-50%-25%							
Condenser	Category		High efficiency fin type							
	Cooling air volume	m³/h	63000	76000	90000	105000	132000	157000	183000	209000
	Cooled fan power	kW	0.7x6	0.7x6	0.7x8	0.8x8	0.8x10	0.8x12	0.8x14	1.2x14
Evaporator	Category		High efficient internal spiral shell and tube type							
	Chilled water flow	L/min	440	500	570	660	880	1000	1140	1320
	joint pipe diameter	Inch	2.5	3	3	3	3	4	4	4
Safety protection devices			Power fuses, compressor overheat protection, overcurrent protection, high or low voltage protection, frost protection, flow switches, phase sequence / phase loss protection, exhaust overheat protection							
Weight	kg		1700	1800	2100	2300	2700	3500	3800	4200
Dimension										
H	mm		1940	1940	1940	1940	1940	1940	1940	1940
W	mm		1950	1950	1950	1950	1950	1950	1950	1950
D	mm		2840	3240	3550	4250	4650	5050	5450	6500

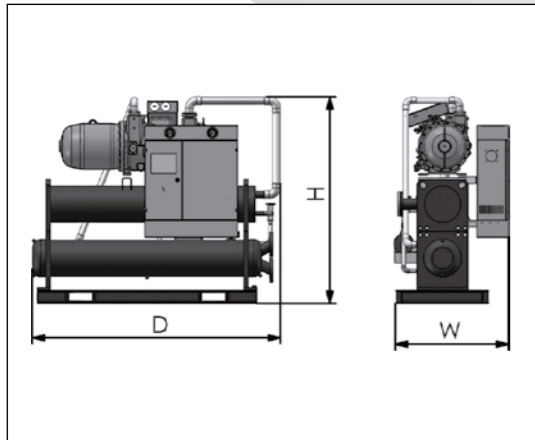
Air-cooled screw chiller unit



Specification Water-cooled industrial screw chiller unit

Category			Single screw compressor					dual screw compressor		
Model			HTC-50WSCS	HTC-60WSCS	HTC-70WSCS	HTC-80WSCS	HTC-100WSCS	HTC-120WSCSD	HTC-140WSCSD	HTC-160WSCSD
Rated cooling capacity	Kcal/h		124870 (149844)	136480 (163776)	158240 (189888)	182920 (219504)	249740 (299688)	272960 (327552)	316480 (379776)	365840 (439008)
	kW		161.6 (193.92)	176 (211.2)	204 (244.8)	236 (283.2)	323 (387.6)	352 (422.4)	408 (489.6)	472 (566.4)
	Btu/h		500000 (600000)	542000 (650400)	628000 (753600)	726000 (871200)	1000000 (1200000)	1084000 (1300800)	1256000 (1507200)	1452000 (1742400)
			41.3 (49.6)	45.1 (54.2)	52.3 (62.8)	60.5 (72.6)	82.6 (99.1)	90.3 (108.3)	104.7 (125.6)	121.0 (145.2)
Input power			3 phase 380V 50Hz (3 phase 380V 60Hz)							
Output power	kW		37	45	52	60	74	90	104	120
Refrigerant flow control			Thermal expansion valve							
Refrigeration circuit			1	1	1	1	1	2	2	2
Compressor	category		semi-hermetic screw compressor							
	Quantity		1	1	1	1	1	2	2	2
	Start mode		Y-Δ start up							
	Capacity control		100%-75%-50%-25%							
Condenser	Category		high efficiency external spiral shell and tube type							
	Cooling water volume	L/min	650	710	825	950	1300	1420	1650	1900
	Join pipe diameter	Inch	2.5	3	3	3	3	4	4	4
Evaporator	Category		High efficient internal spiral shell and tube type							
	Chilled water flow	L/min	520	570	660	760	1040	1140	1320	1520
	joint pipe diameter	Inch	2.5	3	3	3	3	4	4	4
Safety protection devices			Power fuses, compressor overheat protection, overcurrent protection, high or low voltage protection, frost protection, flow switches, phase sequence / phase loss protection, exhaust overheat protection							
Weight	kg		900	1100	1350	1500	1800	2300	2600	2800
Dimension										
H	mm		1550	1800	1800	1830	1880	2150	2250	2350
W	mm		860	990	990	990	990	990	990	990
D	mm		1850	2180	2250	2450	2700	3500	3650	3850

Water-cooled screw chiller unit



The cooling capacity is measured based on following conditions:

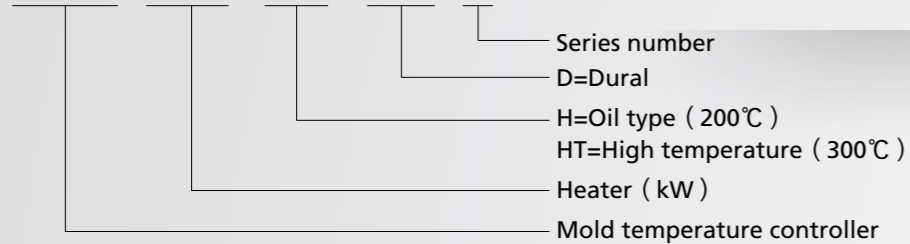
- Chilled water outlet temperature 15°C
- Cooling water inlet temperature 30°C
- Air temperature 35°C

SMART SOLUTIONS

Mold temperature controlling

HTMC-H oil temperature controller

HTMC - AAA - BBB - CCC - P



HTMC-9H-P

Specification

Model		HTMC-6H-P	HTMC-9H-P	HTMC-12H-P	HTMC-18H-P	HTMC-24H-P	HTMC-6H-D-P	HTMC-9H-D-P	HTMC-12H-D-P
Temperature range	°C	50 ~ 200°C							
Media		Oil							
Heater	kW	6	9	12	18	24	6x2	9x2	12x2
Cooling mode		indirect cooling							
Pump	Kw	0.37	0.75		1.5	2.2	0.37x2		0.75x2
Max.flow	Ltr/min	42	56	135	160	315	42	56	135
Max.pressure	Kg/cm ²	2.8	3.8	2.5	2.7	2.6	2.8x2		2.5x2
Media pipe	Inch/set	3/8"PT-2 in2 out		3/8"PT-4 in4 out	3/8"PT-6 in6 out	3/8"PT-8 in 8 out	3/8"PT-2 in 2 outx2		3/8"PT-4 in 4 outx2
Dimension (HxWxD)	mm	650x300x720		830x300x720		1100x480x1280	830x580x750		830x580x750

Model		HTMC-9HT	HTMC-12HT
Temperature range	°C	100 ~ 300°C	
Media		Oil	
Heater	kW	9	12
Pump	KW	0.5	1.1
Cooling mode		indirect cooling	
Max.flow	(Ltr/min)	30	58
Max.pressure	(Kg/c m ²)	5	5.5
Media pipe	Inch/set	1"-1 in1 out	
Dimension(HxWxD)	mm	830x480x860	

Introduce

HTMC series oil temperature controllers include standard series and high temperature series. Mainly used for mold heating and temperature maintenance. In addition, it can be applied to other areas with the same needs. The series adopts the way that returning oil from mold after indirectly cooling, then pressurized by pump. After high temperature heating by electric heating tube, the oil is delivered to the mold to realize requirement of heating and temperature maintenance. Microcomputer PID automatic calculation controller is equipped to ensure stable temperature control.

Features

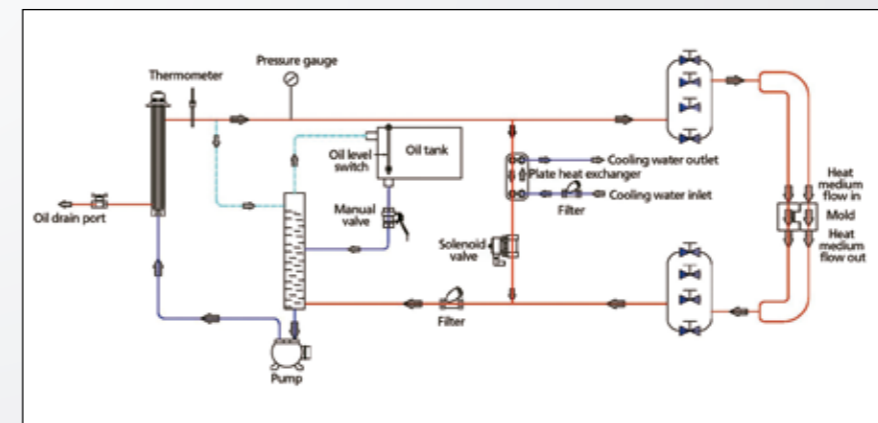
- Microcomputer P.I.D auto-calculation thermostat, digital setting display, accurate and stable;
- With appointment timing function, start-up time is adjustable from 0.1 to 99.9 hours, and the temperature unit can be switched freely between °F and °C ;
- High-efficiency water circulation can be applied to circuits temperature controlling of precision molds and small-diameter mold, realizing precise temperature controlling and high-efficiency heat exchange. The internal pipe is made of stainless steel and resistant to high pressure and explosion;
- The electric cabinet is isolated from machine case. Good isolation can prolong service life of electrical parts;
- Equipped with a complete protection function such as power supply reverse phase protection, pump overload protection, over-temperature insulation, and thermal media shortage alarm. When fault occurs, the machine can automatically detect anomaly and notify it through a buzzer alarm;
- The electric heating tubes are made of stainless steel;
- Heating temperature of HTMC-H standard type can reach 200°C, and HTMC-HT can reach 300°C;
- HTMC-HT type is equipped with magnetic pump, its interior is made of stainless steel, high pressure explosion-proof;
- Optional RS485 communication interface is configured to communicate with host to realize centralized monitoring.

Optional Items

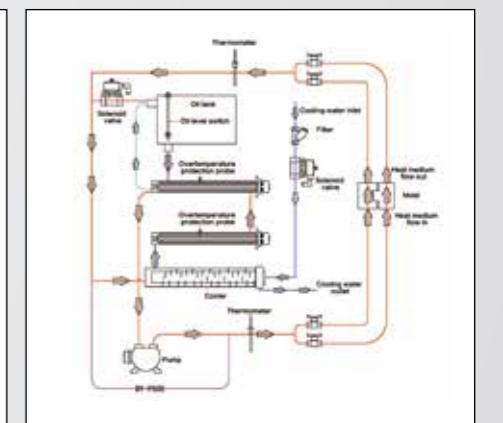
- Safety electronic control circuit can be changed to meet European standard ;
- Optional automatic drainage function, automatically discharge residual heat media in the mold when the mold need to be exchanged, add "L" in the model name;
- Installing water filtration device in front of inlet is optional, add "F" in the model name;
- Optional plug-in PT100, add "PT100" in the model name;

Note

- Voltage specification: 3phase 380V50Hz.
- The selection of model depends on required heating amount.
- If need to customize special specifications, please contact us for confirmation.
- Product specifications are subject to change without notice.



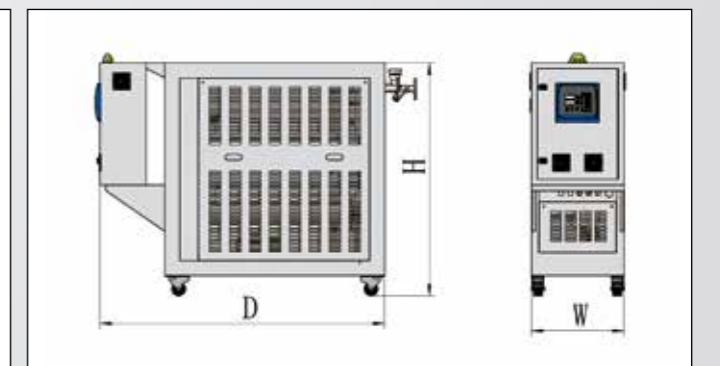
HTMC-H Schematic diagram



HTMC-HT Schematic diagram



HTMC-H View



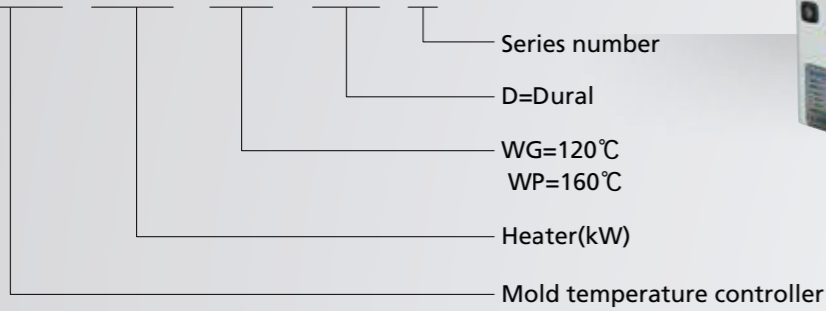
HTMC-HT View

SMART SOLUTIONS

Mold temperature controlling

HTMC-W Water temperature controller

HTMC - AAA - BBB - CCC - P



HTMC-9WG-P

Specification

Model		HTMC-6WG-P	HTMC-9WG-P	HTMC-12WG-P	HTMC-18WG-P	HTMC-24WG-P	HTMC-6WG-D-P	HTMC-9WG-D-P	HTMC-12WG-D-P	
Temperature range	°C	50 ~ 120°C								
Media		Water								
Heater	kW	6	9	12	18	24	6x2	9x2	12x2	
Cooling mode		Direct cooling								
Pump	(kW)	0.37	0.75		1.5	2.2	0.37x2	0.75x2	0.75x2	
Max.flow	Ltr/min	42	56	135	160	315	42x2	56x2	135x2	
Max.pressure	Kg/c m ²	2.8	3.8	2.5	2.7	2.6	2.8	3.8	2.5	
Media pipe	Inch/set	3/8"PT-2 in 2 out		3/8"PT-4 in 4 out	3/8"PT-6 in 6 out	3/8"PT-8 in 8 out	3/8"PT-2 in 2 out x2		3/8"PT-4 in 4 outx2	
Dimension (HxWxD)	mm	610x300x720			700x300x800	740x350x900	710x580x800		710x580x800	

Model		HTMC-9WP-P	HTMC-24WP-P
Temperature range	°C	50~160°C	
Media		Water	Water
Heater	kW	9	24
Cooling mode		indirect cooling	
Pump	(kW)	0.75	1.5
Max.flow	(Ltr/min)	135	165
Max.pressure	(Kg/c m ²)	2.5	2.7
Media pipe	Inch/set	3/8"PT-4 in 4 out	3/8"PT-8 in 8 out
Dimension(HxWxD)	mm	700x300x800	970x480x1280

Introduction

HTMC series mold temperature controller is mainly used to maintain mold temperature and heating, but also applies to other fields with same working conditions. Based on principle of boiling point of water will be increased by pressure, the controller chooses ordinary water as heat transfer media which has low viscosity, can realize rapid increasing and maintaining of temperature.

Features

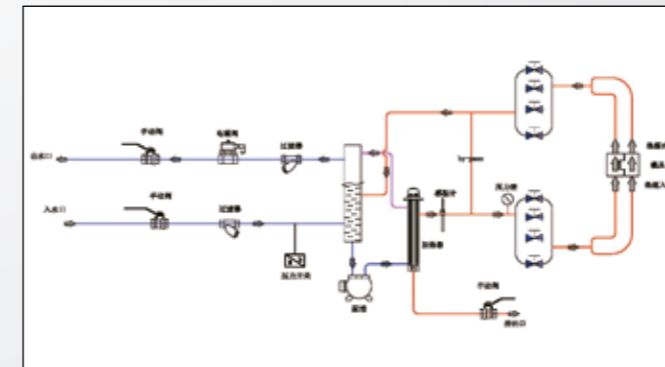
- Microcomputer PID auto-calculation thermostat, digital setting display, accurate and stable;
- With appointment timing function, start-up time is adjustable from 0.1 to 99.9 hours, and the temperature unit can be switched freely between °F and °C;
- High-efficiency water circulation can be applied to circuits temperature controlling of precision molds and small-diameter mold, realizing precise temperature controlling and high-efficiency heat exchange. The internal pipe is made of stainless steel and resistant to high pressure and explosion;
- The electric cabinet is isolated from machine case. Good isolation can prolong service life of electrical parts;
- Equipped with a complete protection function such as power supply reverse phase protection, pump overload protection, over-temperature insulation, and thermal media shortage alarm. When fault occurs, the machine can automatically detect anomaly and notify it through a buzzer alarm;
- With automatic replenishment and exhaust function;
- RS485 communication interface is configured to communicate with host and realizing centralized monitoring;
- Heating and cooling are quick and temperature is stable;

Optional Items

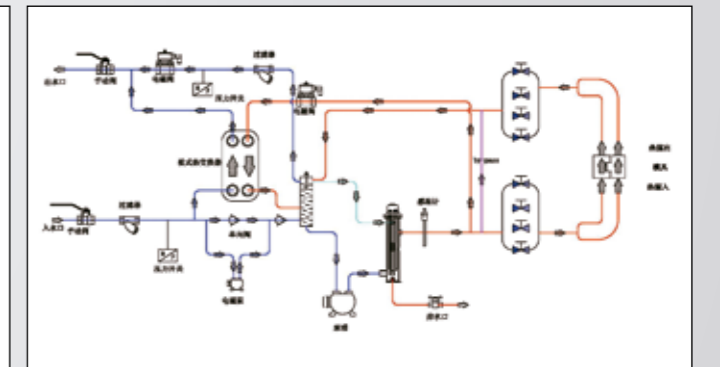
- Optional automatic drainage function, automatically discharge residual heat media in the mold when the mold need to be exchanged, add "L" into the model name;
- Optional water filtration device, add "F" into the model name;
- Optional plug-in PT100, add "PT100" into the model name;

Note

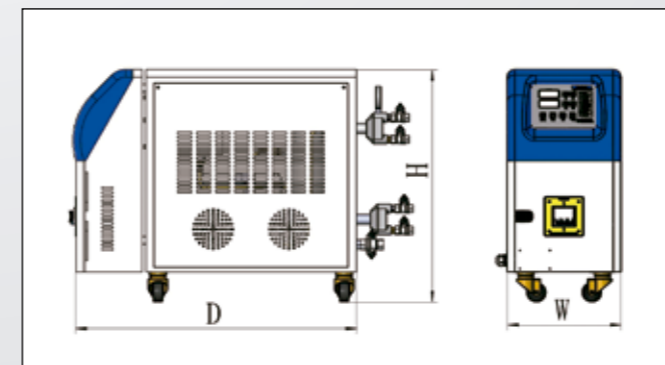
- Voltage specification: 3 phase 380V 50Hz.
- The selection of model depends on required heating amount.
- If need to customize special specifications, please contact us for confirmation.
- Product specifications are subject to change without notice.



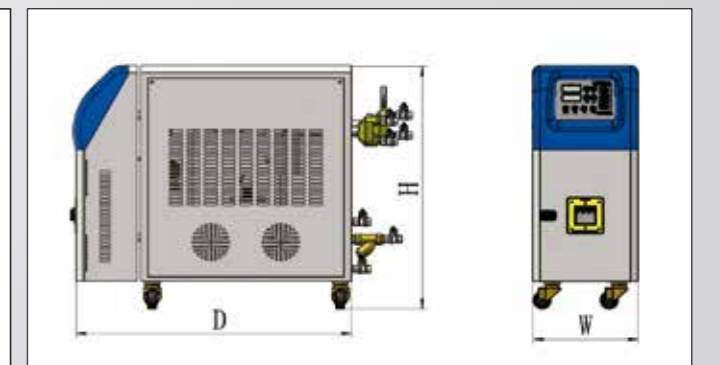
HTMC-WG Schematic diagram



HTMC-WP Schematic diagram



HTMC-WG View



HTMC-WP View

SMART SOLUTIONS Crusher

HTGS Low speed crusher

HTGS AAA -BBB

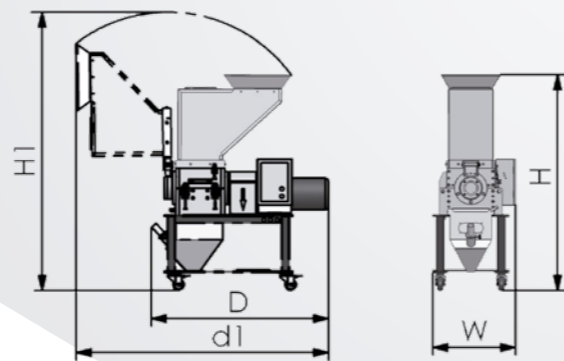
BBB: Picking up mode
Null= Suction box
D= Crusher proportional valve
R= Manual collection box
AJ=compressed air + IMM recycle
BJ=air pump feed + IMM recycle

AAA: Crushing chamber width (mm)

HTGS:Low speed crusher



HTGS 250



HTGS View



No screen, no leakage cutting, good granularity, little powder

Low-speed rolling teeth crusher, flange with dust-proof strip

Specification

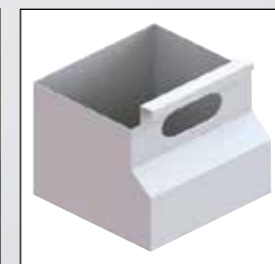
Model	HTGS 250	HTGS 250B	HTGS 350	HTGS 350B	HTGS 450	HTGS 450B
Motor power(kw)	1.5	1.5	2.2	2.2	2.2	2.2
Fan power(kw)	-	0.75	-	1.3	-	1.3
rotation speed(rpm)	20	20	20	20	20	20
Claw blade	2	2	2	2	2	2
Teeth blade	3	3	3	3	3	3
Crushing capacity(kg/hr)	10 ~ 15	10 ~ 15	13 ~ 20	13 ~ 20	20 ~ 30	20 ~ 30
Weight(kg)	330	350	470	490	650	650
Crushing chamber dimension(mm)	240*250	240*250	330*350	330*350	430*430	430*430
Dimension						
H(mm)	1310	1310	1455	1455	1645	1645
H1(mm)	1685	1685	1910	1910	2225	2225
W(mm)	595	595	700	700	685	685
D(mm)	1070	995	1230	1150	1310	1310
d1(mm)	1540	1540	1760	1760	1990	1990



HTGS 250B



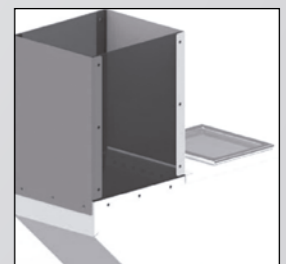
Crusher proportional valve (optional)



Manual collection box (optional)



Inlet with magnet



Double-layer damping soundproof material (optional high port)

Introduce

To achieve dust free performance, HTGS series jaw crusher is equipped with jaw blades and cutting-off blades. The machine is equipped with multiple protection devices for safe operation. This series is suitable for recycling and crushing of degraded materials which is thick, slender or tough.

Features

- With high-quality gear motor, stable performance, long life and large transmission torque;
- The integration of gear cutter and claw cutter can realize coarse and fine grinding at the same time, can be mixed with new materials directly;
- The crushed particles are even and powder content is little;
- Unique transmission design makes machine running more smoothly and with lower noise;
- Precise design saves space and cleaning is quick and easy;
- Motor is easy to replace and maintain;

Note

- Standard voltage: 3 phase 380V 50Hz;
- The maximum crushing capacity depends on material;
- If need to customize special specifications, please contact us for confirmation;
- Product specifications are subject to change without notice.

SMART SOLUTIONS Crusher

HTGM180 Medium speed crusher

HTGM AAA -BBB-CCC

CCC:Picking up mode
Null= With suction box
D= Crusher proportional valve
R= Manual collection box
AJ = compressed air + IMM recycle
BJ = air pump feed + IMM recycle

BBB: crushing chamber width (mm)

AAA: crushing rotor diameter(mm)

HTGM:Medium speed crusher



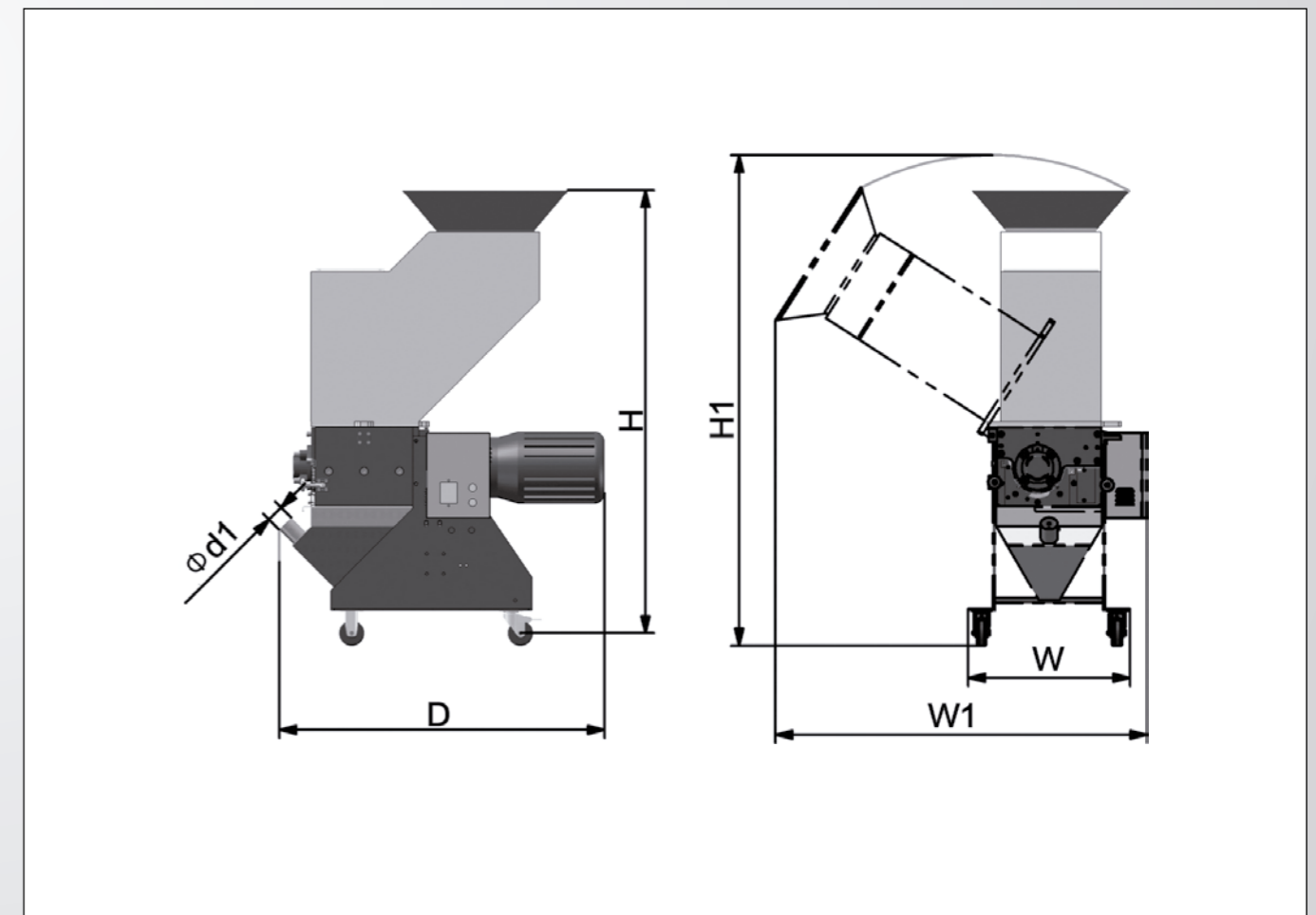
HTGM180-290



HTGM180-220B

Specification

Model	HTGM180-220	HTGM180-220B	HTGM180-290	HTGM180-290B
Motor power	2.2	2.2	2.2	2.2
Fan power(kw)	-	1.3	-	1.3
rotation speed(rpm)	150	150	150	150
Rotor blade quantity (Pcs)	24	24	30	30
Fix blade quantity (Pcs)	2	2	2	2
Crushing capacity (kg/hr)	35 ~ 55	35 ~ 55	50 ~ 70	50 ~ 70
Weight(kg)	180	180	200	210
Feed inlet size(mm)	270X230	270X230	270X290	270X290
Crushing rotor size(mm)	Φ 180*220	Φ 180*220	Φ 180*290	Φ 180*290
Screen mesh size (mm)	Φ6	Φ6	Φ6	Φ6
Dimension				
H(mm)	1230	1230	1350	1350
H1(mm)	1350	1350	1460	1460
W(mm)	480	480	540	540
W1(mm)	1060	1060	1060	1060
D(mm)	880	880	975	975
Φd1(Inch)	1.5	1.5	1.5	1.5



HTGM180 View

Introduce

HTGM180 series medium speed machine-side crusher is suitable for crushing and recycling various plastic materials, including plastic scraps and regraded material. It is suitable for various soft or hard plastics such as soft chlorine, nylon and ABS. With compact structure and good appearance, the machine is easy to be operated, and optimized design of rotor blade minimize energy consumption and improve cutting efficiency.

Features

When material enters gradually, the rotor blades which are arranged in V-shape cut material smoothly and quickly;
The spindle runs at a medium speed with low noise and little dust;
The screen support is easy to disassemble, and it is convenient to change screen and clean material;
After screw support and hopper is opened, safety switch ensures that spindle does not run and personal safety when changing and cleaning screen;
Only grinding rake face after rotor blades is blunt and no adjustment is required during installation.
Only after fixed blades is repeatedly used four times, grinding is required;

Note

Standard voltage : 3 phase 380V 50Hz;
The maximum crushing capacity depends on screen mash size and material;
If need to customize special specifications, please contact us for confirmation;
Product specifications are subject to change without notice.

SMART SOLUTIONS Crusher

HTGM200 Medium speed crusher

HTGM AAA -BBB-CCC

- CCC: Picking up mode
- Null=With suction box
- D=Crusher proportional valve
- R=Manual collection box
- AJ=compressed air + IMM recycle
- BJ=air pump feed + IMM recycle
- BBB:Crushing chamber width (mm)
- AAA:Crusher rotor diameter(mm)
- HTGM:Medium speed crusher



HTGM200-270

Introduction

HTGM200 series medium speed machine-side crusher is suitable for crushing and recycling various plastic materials, including plastic scraps and regraded material. It is suitable for various soft or hard plastics such as soft chlorine, nylon and ABS. With compact structure and good appearance, the machine is easy to be operated, and optimized design of rotor blade minimize energy consumption and improve cutting efficiency.

Features

- Motor with overload protection device;
- Power chain protection system guarantees safe operation, with main power isolating switch;
- The cutter is made of special steel, sharp and wear-resistant, can evenly crush particles with little powder;
- Easy to disassemble, convenient to clean and maintain;
- With four wheels, easy to move;

Note

- Standard voltage is: 3 phase 380V 50Hz;
- The maximum crushing capacity depends on screen mesh size and material;
- If need to customize special specifications, please contact us for confirmation;
- Product specifications are subject to change without notice.



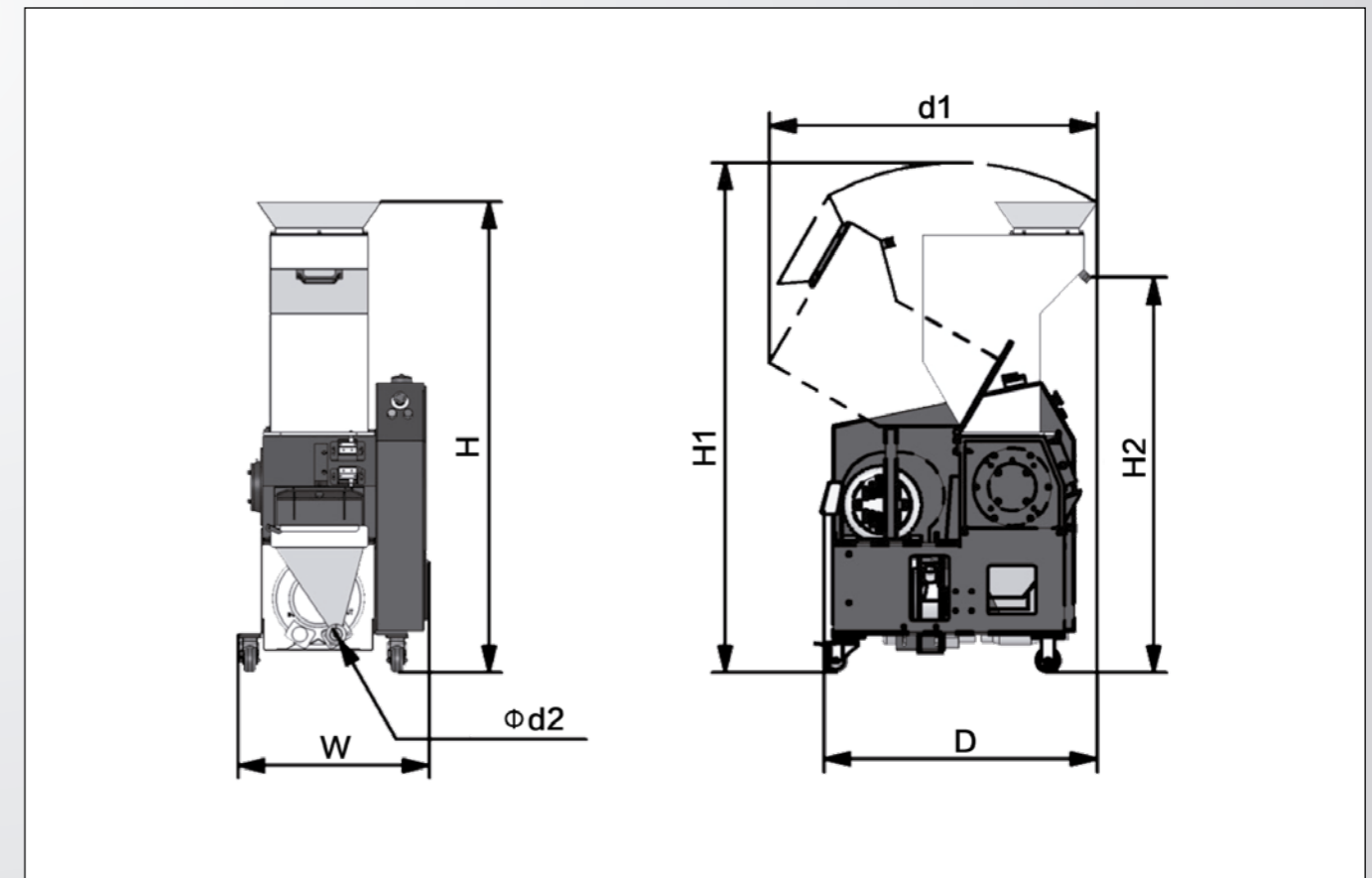
HTGM200-270B



HTGM200-270R

Specification

Model	HTGM200-270	HTGM200-270B	HTGM200-430	HTGM200-430B
Motor power(kw)	2.2	2.2	3	3
Fan power(kw)	-	1.3	-	1.3
rotation speed(rpm)	328	328	328	328
Rotor blade quantity(Pcs)	6	6	6	6
Fix blade quantity(Pcs)	2	2	2	2
Crushing capacity(kg/hr)	60-100	60-100	60-150	60-150
Weight(kg)	270	270	330	330
Feed inlet size(mm)	200X270	200X270	200X430	200X430
Crushing rotor size(mm)	Φ200X270	Φ200X270	Φ200X430	Φ200X430
Screen mesh size(mm)	Φ8	Φ8	Φ8	Φ8
Dimension				
H(mm)	1455	1455	1455	1455
H1(mm)	1575	1575	1575	1575
W(mm)	585	585	745	745
D(mm)	830	830	830	830
d1(mm)	1015	1015	1015	1015
Φd2(Inch)	1.5	1.5	1.5	1.5

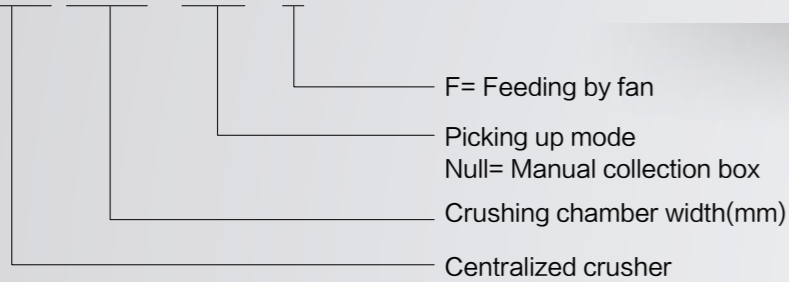


HTGM200 View

SMART SOLUTIONS Crusher

HTSS Crusher

HTSS AAA - BBB - F



HTSS400

Specification

Model		HTSS180	HTSS230	HTSS300	HTSS400	HTSS500	HTSS600	HTSS800
Motor power	kW	2.2	4	5.5	7.5	11	15	22
rotation speed	rpm	530	640	670	650	650	580	560
Rotor blade quantity	- A	-	6	9	12	15	18	24
	- B	3	3	3	3	6	6	6
Fixed blade quantity	Pcs	2	2	2	2	2	4	4
Crushing capacity	kg/hr	75 ~ 150	100 ~ 200	200 ~ 300	350 ~ 500	400 ~ 580	450 ~ 600	600 ~ 800
Weight	kg	150	270	310	520	600	900	1640
Feed inlet size	mm	140x180	160x230	210x300	250x400	250x500	310x600	420x800
Crushing rotor size	mm	Φ 150x180	Φ 205x230	Φ 220x300	Φ 250x400	Φ 250x500	Φ 330x600	Φ 415x800
Screw mesh size	mm	Φ 6	Φ 8	Φ 10	Φ 10	Φ 10	Φ 12	Φ 12

Dimension								
H	MM	1160	1060	1195	1340	1345	1680	2130
H1		1235	1280	1280	1530	1530	1210	2290
H2		1160	970	1065	1190	1190	1485	1875
W		550	645	800	910	1010	1155	1440
D		735	960	1060	1310	1360	1370	1725
d1		760	785	920	1045	1036	1240	1050

Introduce

The HTSS series crushers are suitable for crushing different kinds of soft and hard plastics, and smashing different shapes of plastics such as blocks, spheres, bars and degraded material into particles. In plastics industry, it has played an important role in rapid processing and recycling of plastic defects, scrap, and degraded material, and increased utilization of plastics.

Features

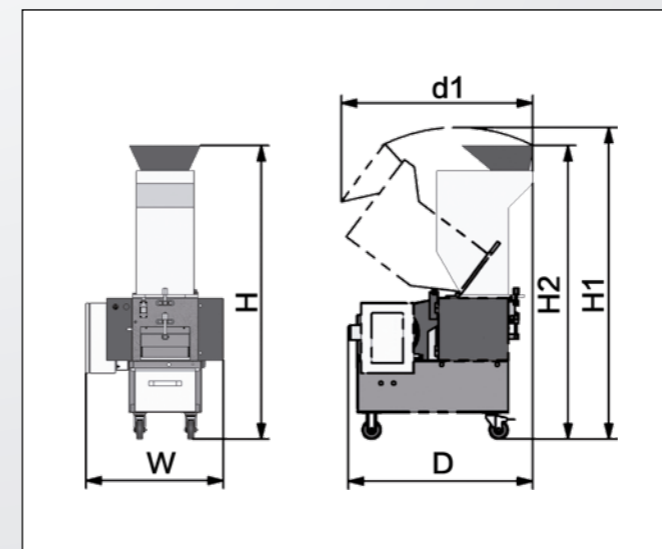
For HTSS crusher, Type A and Type B blades are optional. Installed with all-steel blades, and SKD11 blade is optional for enhanced wear-resistant purpose; 800 and above models are equipped with water cooled bearing seat, cart and mobile collection container. Standard configuration includes: overload protection, short circuit protection and shutdown protection of hopper opening; Fan feeding cyclone separator and secondary dedusting system are optional

Note

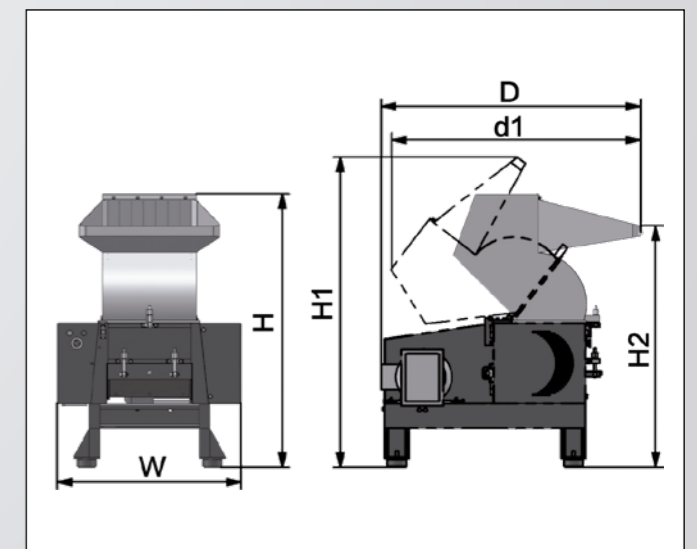
Standard voltage: 3 phase 380V 50Hz.
 The maximum crushing capacity depends on mesh size, material etc. If need to customize special specifications, please contact us for confirmation.
 Product specifications are subject to change without notice.



HTSS400F



HTSS180 View



HTSS230-800 View



Europeanization dryer
HTHD-50EU-P



Europeanization vacuum loader
HTAL-1HP-U-P



HTHD Europeanization dryer series

- Microcomputer can accurately control temperature, full digital P.I.D control, LED status display;
- Overheat protection device can reduce the loss caused by human or mechanical failure;
- Applying principle of air cyclone exhaust and adopting down-blowing hot air to achieve uniform drying effect;
- With seven-day timing function, automatically timing controlling on or off status, 30% power saving efficiency increase compared to normal dryer.



HTTS600-800F
Note: Inertia flywheel (optional)



HTTS Barrel crusher

Used for crushing and recycling of hollow containers such as various plastic barrels, including drinking water barrels and grease barrels. It has compact structure and easy to operate, professional design of double V cutting mode minimizes energy consumption and higher cutting efficiency.



HTZS400-800F



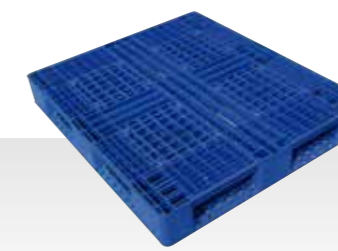
HTZS400-800

HTZS series High duty crusher

Used for crushing of various plastics, rubbers, fabrics, leathers, cardboard, wood and aluminum foils. The shape of material can be film, sheets, tubes, regrind material and various kinds of hollow containers. When amount of crushing is large, it can be equipped with feeding conveyor, suction fan, storage bin and dedusting system.



HTTP800-1200F



HTTP Pellets crusher

Suitable for crushing and recycling pallets, pipes and wide profiles., Eliminating pre-decomposition process of products used in conventional machines, Reducing material degradation, saving labor cost and intensity, Improve crushing and recycling efficiency.